

# Panasonic Industrial Company

Air Conditioning Department

# 2K20S3R236A-6B

208/230 V, 60 Hz R-22

## 2K20S3R236A-6B

Application	Cooling (C) / Heating (H)	
Ref. Charge Limit (C/H)	33.5 oz.	950 g
	(C)	38.8 oz. 1100 g
Evap. Temp. Range (C/H)	5°F to 53.6°F	-15°C to 12°C
	(C)	14°F to 53.6°F -10°C to 12°C
Specification Number	SC-52170557-A	

## Rated Performance @230V<sup>1</sup>

Capacity	13,810 Btu/hr
Motor Input	1,280 Watts
Current	5.7 Amperes
E.E.R.	10.79 Btu/hr/ W

## Compressor Data

Pump Type	Rotary	
Displacement	19.6 cc/rev	
Oil	ATMOS M60 or equivalent	
Oil Charge (Precharged)	13.9 fl. oz.	410 cc
Net Weight	35.3 lb	16.0 kg

## Motor Data

Motor Type	Permanent Split Capacitor	
Locked Rotor Amperes	33 A at 240 V	
Winding Resistance	Main: 2.391Ω, Aux: 1.423Ω	
Max. Continuous Current <sup>2</sup>		

## Maximum Operating Conditions

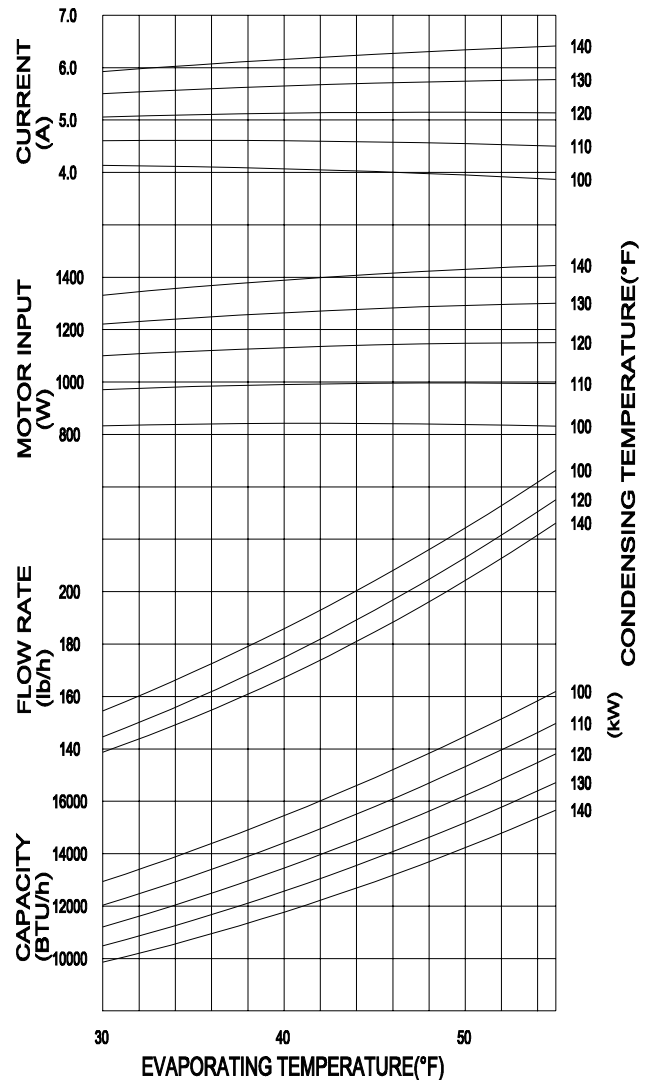
Condensing Temp.	149°F	65°C
Return Gas Temp.	95°F	35°C
Discharge Gas Temp.	239°F	115°C
Motor Wire Temp.	266°F	130°C

## Electrical Components

Overload Protector	7100500 or 7100501	
Texas Instrument part #	MRA 98908 or MRA 98848	
Run Capacitor	35 or 40 μF/330 VAC	

## <sup>1</sup>Rated @ASHRAE/T Conditions

Evaporating Temp.	45°F	7.2°C
Condensing Temp.	130°F	54.4°C
Return Gas Temp.	95°F	35.0°C
Liquid Temp.	115°F	46.1°C
Ambient Temp.	95°F	35.0°C



## Performance Data @230V

Based on:

Return gas Temp.	95°F	35.0°C
Liquid sub-cooling	15°F	8.3°C
Ambient	95°F	35.0°C

### COND. TEMP.

100°F	110°F	120°F	130°F	140°F
37.8°C	43.3°C	48.9°C	54.4°C	60°C

### EVAP. TEMP.

35° F 1.7°C	Btu/hr	13615	12840	12065	11295	10530
	Watts	875	1005	1130	1250	1360
	Amperes	4.0	4.6	5.1	5.6	6.1

45° F 7.2°C	Btu/hr	16600	15680	14750	13810	12855
	Watts	875	1010	1145	1280	1405
	Amperes	4.0	4.6	5.1	5.7	6.3

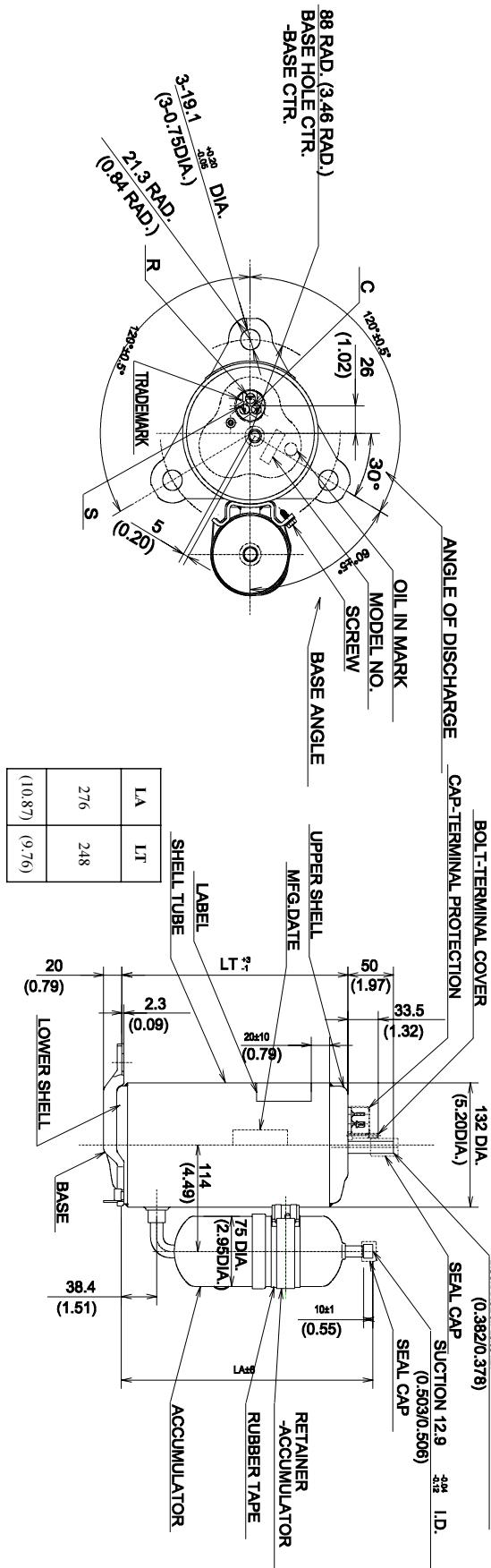
55° F 12.8°C	Btu/hr	20070	19005	17910	16785	15635
	Watts	835	995	1145	1295	1435
	Amperes	3.8	4.5	5.1	5.8	6.4

BTU 14,000

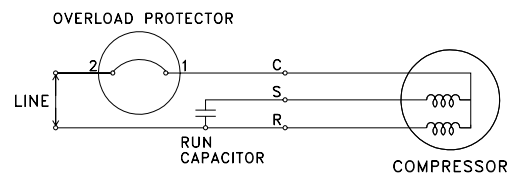
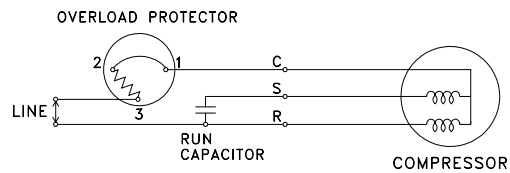
# 2K20S3R236A-6B

208/230 V, 60 Hz R-22

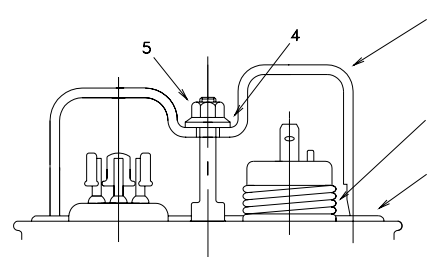
BTU 14,000



## WIRING DIAGRAM

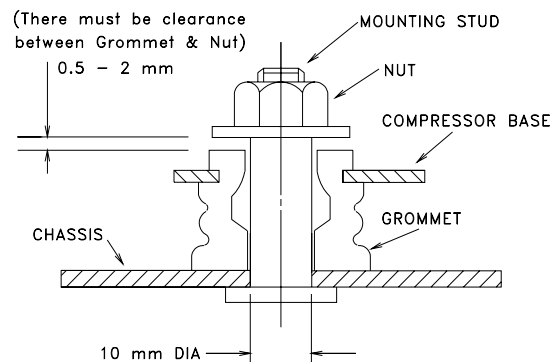


## COMPRESSOR ACCESSORIES



Accessories	Part Number
1 Gasket-Terminal Cover	7070620U
2 Spring-OLP hold down	7041200
3 Terminal Cover	7070219U
4 Gasket-Nut	7070621U
5 Nut-Terminal Cover	7080300
Grommet	7070815

## COMPRESSOR MOUNTING



# Panasonic Industrial Company

Air Conditioning Department

# 2K21C3R236A-SA

208/230 V, 60 Hz R-22

## 2K21C3R236A-SA

Application Cooling (C) / Heating (H)  
 Ref. Charge Limit (C/H) 38.8 oz. 1100 g  
 Evap. Temp. Range (C/H) 5°F to 53.6°F -15°C to 12°C  
 (C) 14°F to 53.6°F -10°C to 12°C  
 Specification Number SC-52170977-A

### Rated Performance @230V<sup>1</sup>

Capacity 14,840 Btu/hr  
 Motor Input 1,475 Watts  
 Current 6.5 Amperes  
 E.E.R. 10.06 Btu/hr/ W

### Compressor Data

Pump Type Rotary  
 Displacement 21.4 cc/rev  
 Oil ATMOS M60 or equivalent  
 Oil Charge (Precharged) 13.9 fl. oz. 410 cc  
 Net Weight 32.9 lb 14.9 kg

### Motor Data

Motor Type Permanent Split Capacitor  
 Locked Rotor Amperes 36 A at 240 V  
 Winding Resistance Main: 2.022Ω, Aux: 4.701Ω  
 Max. Continuous Current<sup>2</sup>

### Maximum Operating Conditions

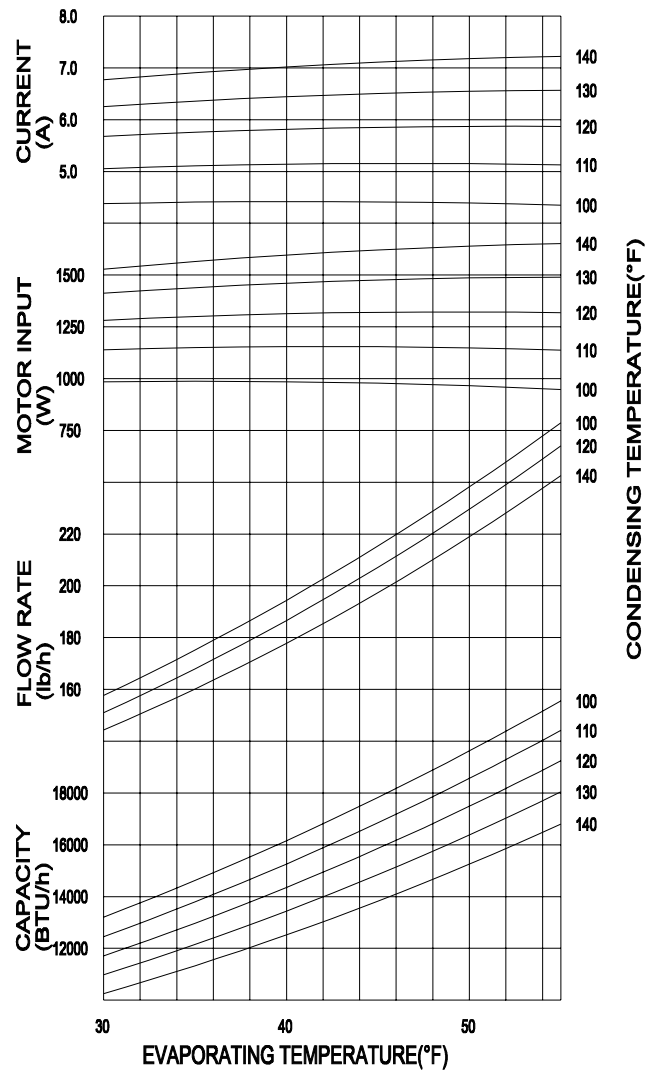
Condensing Temp. 149°F 65°C  
 Return Gas Temp. 95°F 35°C  
 Discharge Gas Temp. 239°F 115°C  
 Motor Wire Temp. 266°F 130°C

### Electrical Components

Overload Protector 7100066 or 7100515  
 Texas Instrument part # MRA 989772 or MRA 98859  
 Run Capacitor 30 μF/370 VAC

### <sup>1</sup>Rated @ASHRAE/T Conditions

Evaporating Temp. 45°F 7.2°C  
 Condensing Temp. 130°F 54.4°C  
 Return Gas Temp. 95°F 35.0°C  
 Liquid Temp. 115°F 46.1°C  
 Ambient Temp. 95°F 35.0°C



### Performance Data @230V

Based on:

Return gas Temp. 95°F 35.0°C  
 Liquid sub-cooling 15°F 8.3°C  
 Ambient 95°F 35.0°C

#### COND. TEMP.

100°F	110°F	120°F	130°F	140°F
37.8°C	43.3°C	43.3°C	48.9°C	60°C

#### EVAP. TEMP.

35° F 1.7°C	Btu/hr	14610	13785	12960	12140	11320
	Watts	985	1150	1300	1440	1565
	Amperes	4.4	5.1	5.8	6.4	6.9

45° F 7.2°C	Btu/hr	17820	16840	15845	14840	13815
	Watts	975	1155	1320	1475	1620
	Amperes	4.4	5.1	5.8	6.5	7.1

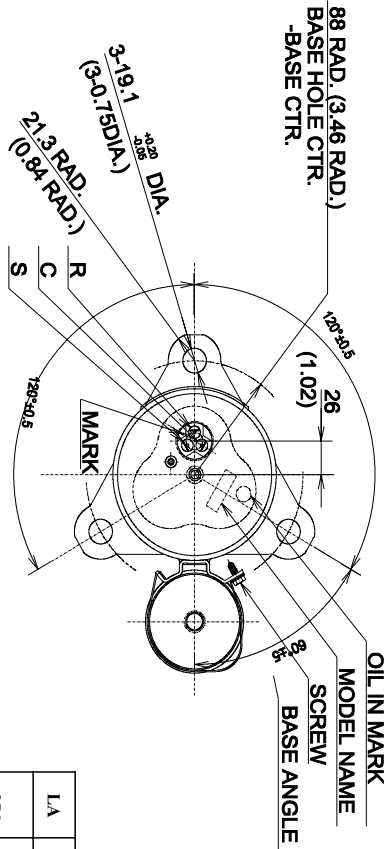
55° F 12.8°C	Btu/hr	21545	20405	19235	18035	16795
	Watts	945	1135	1315	1490	1650
	Amperes	4.3	5.1	5.9	6.6	7.2

BTU 15,000

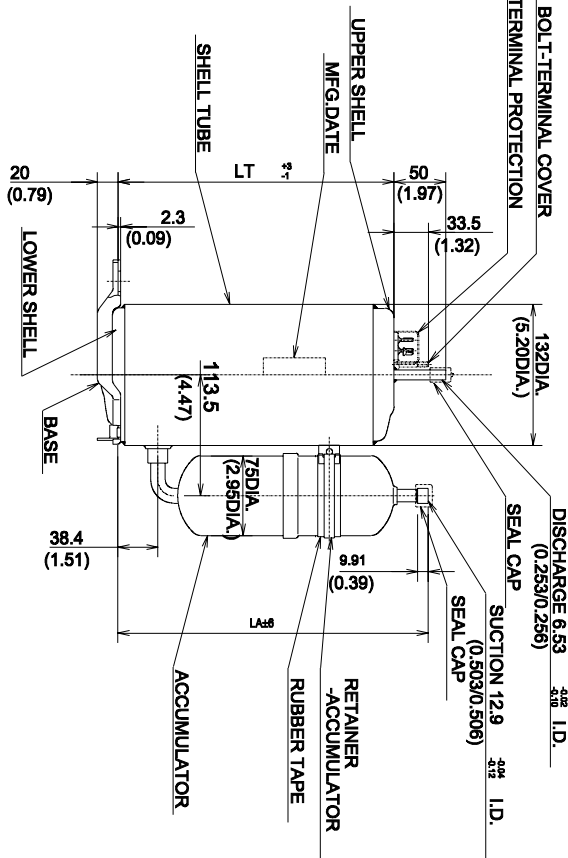
# 2K21C3R236A-SA

208/230 V, 60 Hz R-22

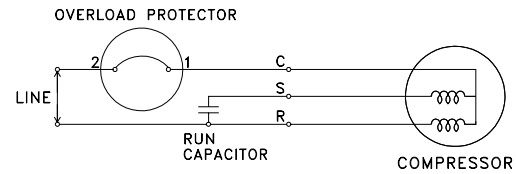
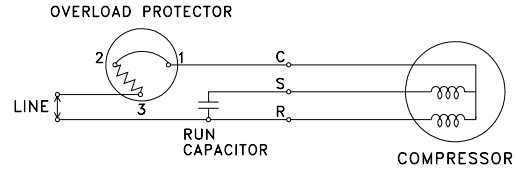
BTU 15,000



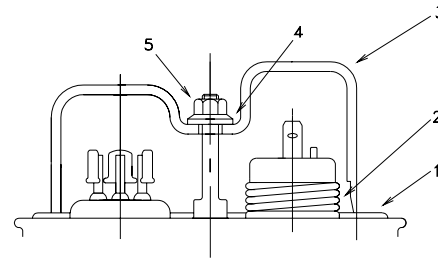
L/A	276	L/T	248
(10.87)	(9.76)		



## WIRING DIAGRAM

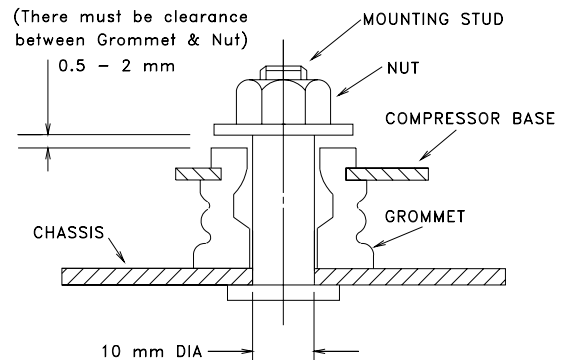


## COMPRESSOR ACCESSORIES



Accessories	Part Number
1 Gasket-Terminal Cover	7070620U
2 Spring-OLP hold down	7041200
3 Terminal Cover	7070219U
4 Gasket-Nut	7070621U
5 Nut-Terminal Cover	7080300
Grommet	7070815

## COMPRESSOR MOUNTING



# Panasonic Industrial Company

Air Conditioning Department

# 2K21S3R276A-6A

265/277 V, 60 Hz R-22

## 2K21S3R276A-6A

Application	Cooling (C) / Heating (H)	
Ref. Charge Limit (C/H)	33.5 oz.	950 g
	(C) 38.8 oz.	1100 g
Evap. Temp. Range (C/H)	5°F to 53.6°F	-15°C to 12°C
	(C) 14°F to 53.6°F	-10°C to 12°C
Specification Number	SC-52170430-C	

## Rated Performance @265V<sup>1</sup>

Capacity	15,080 Btu/hr
Motor Input	1,405 Watts
Current	5.4 Amperes
E.E.R.	10.73 Btu/hr/ W

## Compressor Data

Pump Type	Rotary	
Displacement	21.4 cc/rev	
Oil	ATMOS M60 or equivalent	
Oil Charge (Precharged)	13.9 fl. oz.	410 cc
Net Weight	34.8 lb	15.8 kg

## Motor Data

Motor Type	Permanent Split Capacitor	
Locked Rotor Amperes	31 A at 277 V	
Winding Resistance	Main: 2.554Ω, Aux: 1.550Ω	
Max. Continuous Current <sup>2</sup>		

## Maximum Operating Conditions

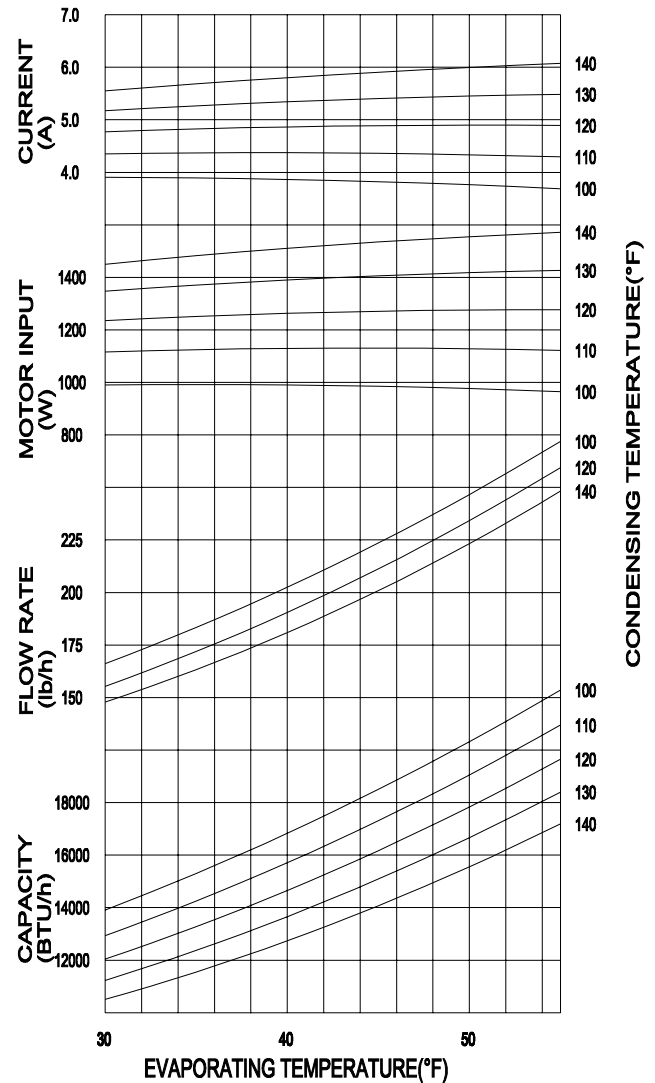
Condensing Temp.	149°F	65°C
Return Gas Temp.	95°F	35°C
Discharge Gas Temp.	239°F	115°C
Motor Wire Temp.	266°F	130°C

## Electrical Components

Overload Protector	7100096
Texas Instrument part #	MRA98830
Run Capacitor	35 μF/400 VAC

### <sup>1</sup>Rated @ASHRAE/T Conditions

Evaporating Temp.	45°F	7.2°C
Condensing Temp.	130°F	54.4°C
Return Gas Temp.	95°F	35.0°C
Liquid Temp.	115°F	46.1°C
Ambient Temp.	95°F	35.0°C



BTU 15,000

### Performance Data @265V

Based on:

Return gas Temp.	95°F	35.0°C
Liquid sub-cooling	15°F	8.3°C
Ambient	95°F	35.0°C

#### COND. TEMP.

100°F	110°F	120°F	130°F	140°F
37.8°C	43.3°C	48.9°C	54.4°C	60°C

#### EVAP. TEMP.

35° F 1.7°C	Btu/hr	15280	14240	13270	12370	11550
	Watts	990	1125	1250	1370	1480
	Amperes	3.9	4.4	4.8	5.3	5.7

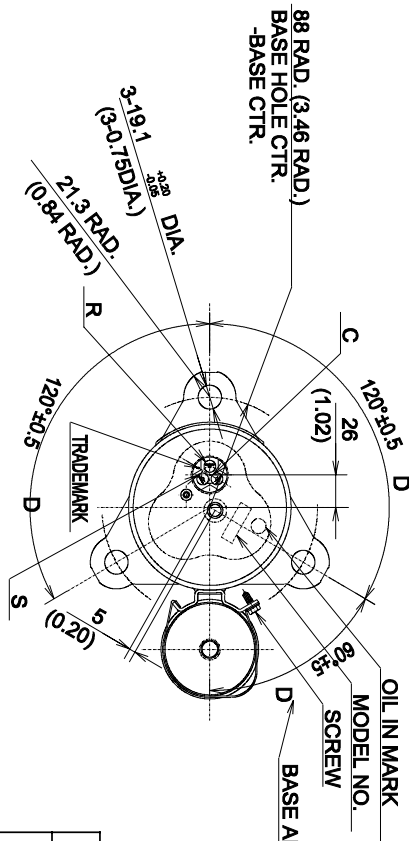
45° F 7.2°C	Btu/hr	18470	17290	16150	15080	14070
	Watts	985	1130	1270	1405	1535
	Amperes	3.8	4.4	4.9	5.4	5.9

55° F 12.8°C	Btu/hr	22250	20920	19635	18380	17180
	Watts	965	1120	1275	1425	1570
	Amperes	3.7	4.3	4.9	5.5	6.1

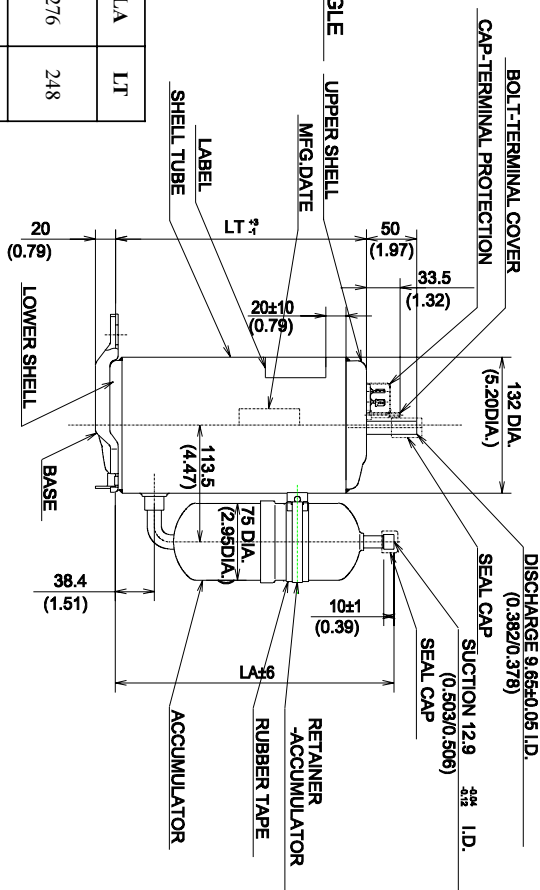
# 2K21S3R276A-6A

265/277 V, 60 Hz R-22

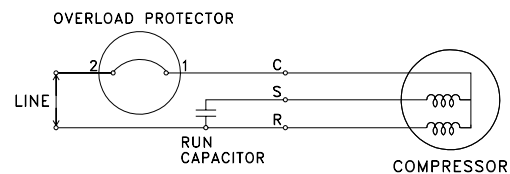
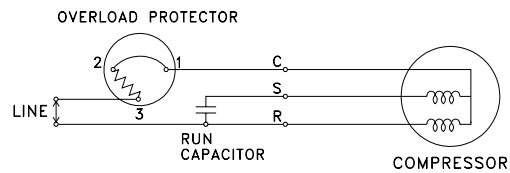
BTU 15,000



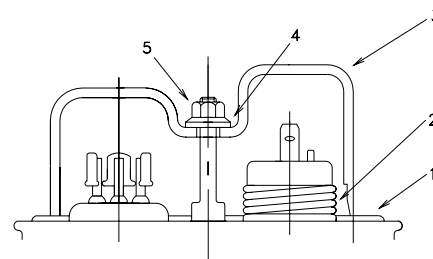
LA	LT
276	248
(10.87)	(9.76)



## WIRING DIAGRAM

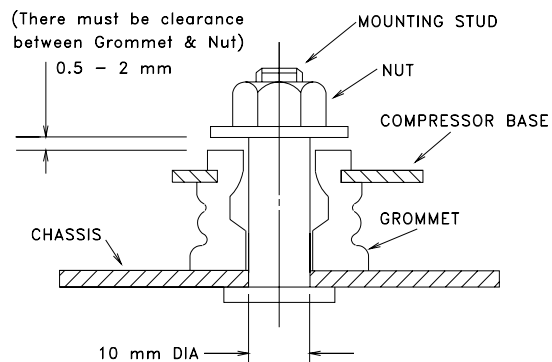


## COMPRESSOR ACCESSORIES



Accessories	Part Number
1 Gasket-Terminal Cover	7070620U
2 Spring-OLP hold down	7041200
3 Terminal Cover	7070219U
4 Gasket-Nut	7070621U
5 Nut-Terminal Cover	7080300
Grommet	7070815

## COMPRESSOR MOUNTING



This document sets forth certain operational parameters and conditions for operation of this product. If this product is operated outside of the parameters and conditions stated herein, buyer assumes sole and full responsibility and shall indemnify seller with respect to all product failures, and all consequences thereof. Operation of the product outside of the parameters and conditions specified herein shall serve to invalidate all seller warranties, if any, with respect to the product. Use this document as reference only. For specifications, please contact Panasonic's engineering department.

# Panasonic Industrial Company

Air Conditioning Department

# 2K21S3R276A-6A

265/277 V, 60 Hz R-22

## 2K21S3R276A-6A

Application	Cooling (C) / Heating (H)	
Ref. Charge Limit (C/H)	33.5 oz.	950 g
	(C) 38.8 oz.	1100 g
Evap. Temp. Range (C/H)	5°F to 53.6°F	-15°C to 12°C
	(C) 14°F to 53.6°F	-10°C to 12°C
Specification Number	SC-52170430-C	

## Rated Performance @265V<sup>1</sup>

Capacity	15,080 Btu/hr
Motor Input	1,405 Watts
Current	5.4 Amperes
E.E.R.	10.73 Btu/hr/ W

## Compressor Data

Pump Type	Rotary	
Displacement	21.4 cc/rev	
Oil	ATMOS M60 or equivalent	
Oil Charge (Precharged)	13.9 fl. oz.	410 cc
Net Weight	34.8 lb	15.8 kg

## Motor Data

Motor Type	Permanent Split Capacitor	
Locked Rotor Amperes	31 A at 277 V	
Winding Resistance	Main: 2.554Ω, Aux: 1.550Ω	
Max. Continuous Current <sup>2</sup>		

## Maximum Operating Conditions

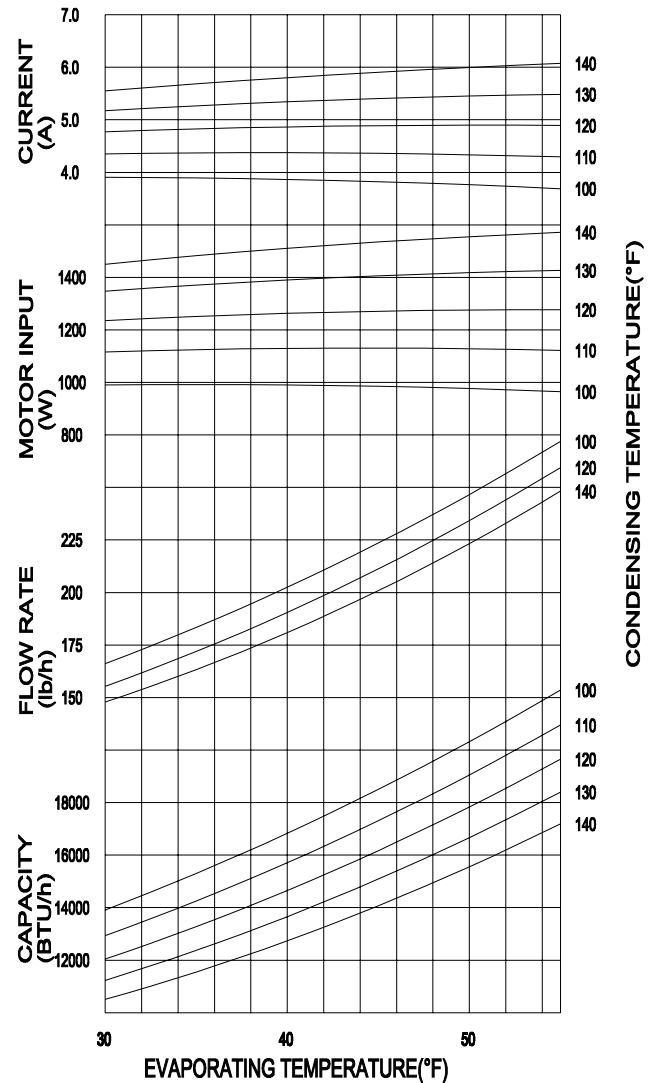
Condensing Temp.	149°F	65°C
Return Gas Temp.	95°F	35°C
Discharge Gas Temp.	239°F	115°C
Motor Wire Temp.	266°F	130°C

## Electrical Components

Overload Protector	7100096
Texas Instrument part #	MRA98830
Run Capacitor	35 μF/400 VAC

### <sup>1</sup>Rated @ASHRAE/T Conditions

Evaporating Temp.	45°F	7.2°C
Condensing Temp.	130°F	54.4°C
Return Gas Temp.	95°F	35.0°C
Liquid Temp.	115°F	46.1°C
Ambient Temp.	95°F	35.0°C



### Performance Data @265V

Based on:

Return gas Temp.	95°F	35.0°C
Liquid sub-cooling	15°F	8.3°C
Ambient	95°F	35.0°C

#### COND. TEMP.

100°F	110°F	120°F	130°F	140°F
37.8°C	43.3°C	48.9°C	54.4°C	60°C

#### EVAP. TEMP.

35° F 1.7°C	Btu/hr	15280	14240	13270	12370	11550
	Watts	990	1125	1250	1370	1480
	Amperes	3.9	4.4	4.8	5.3	5.7

45° F 7.2°C	Btu/hr	18470	17290	16150	15080	14070
	Watts	985	1130	1270	1405	1535
	Amperes	3.8	4.4	4.9	5.4	5.9

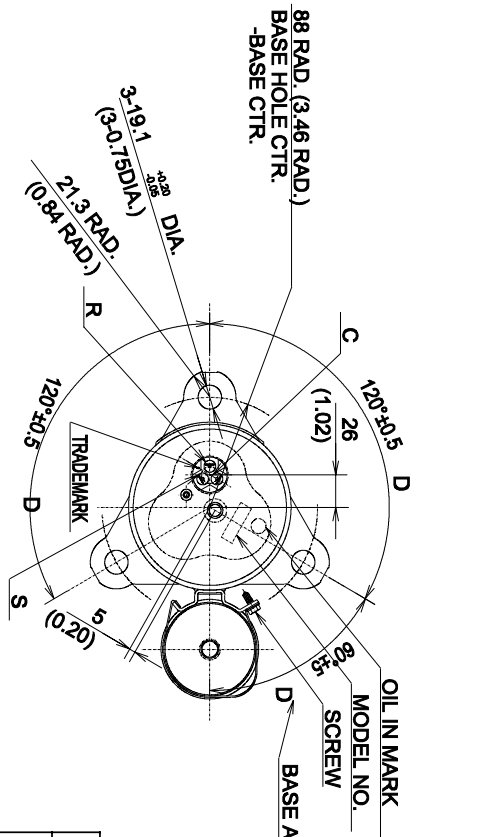
55° F 12.8°C	Btu/hr	22250	20920	19635	18380	17180
	Watts	965	1120	1275	1425	1570
	Amperes	3.7	4.3	4.9	5.5	6.1

BTU 15,000

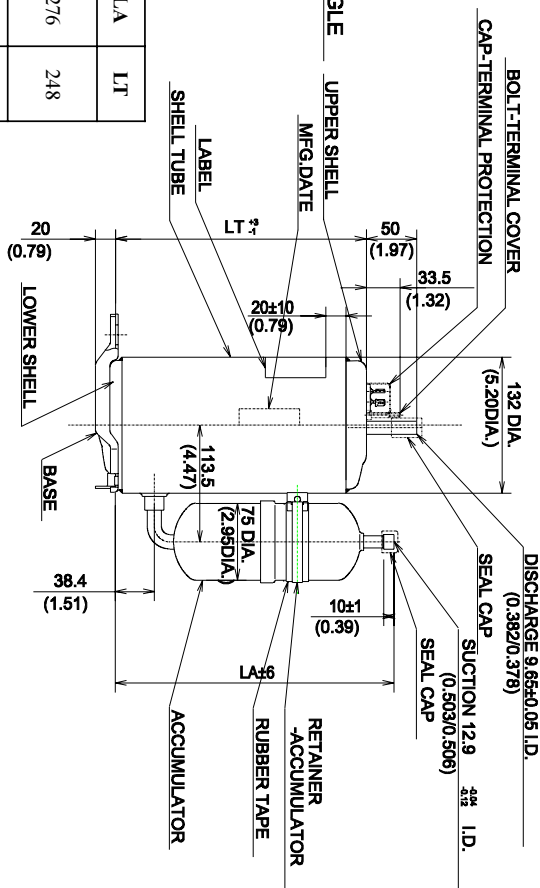
# 2K21S3R276A-6A

265/277 V, 60 Hz R-22

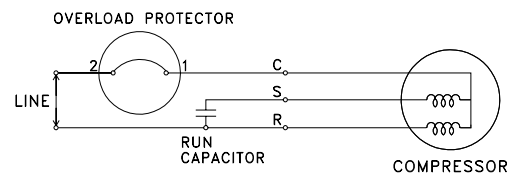
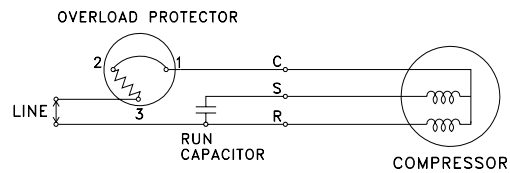
BTU 15,000



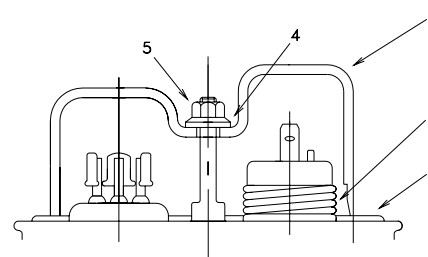
LA	LT
276	248
(10.87)	(9.76)



## WIRING DIAGRAM

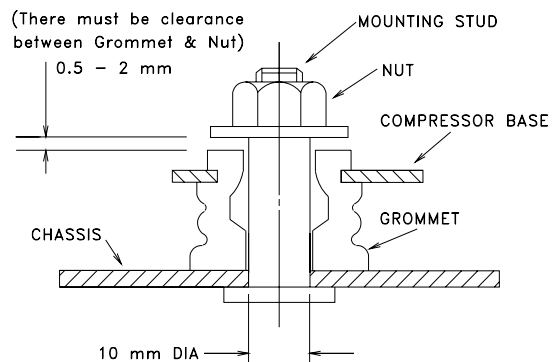


## COMPRESSOR ACCESSORIES



Accessories	Part Number
1 Gasket-Terminal Cover	7070620U
2 Spring-OLP hold down	7041200
3 Terminal Cover	7070219U
4 Gasket-Nut	7070621U
5 Nut-Terminal Cover	7080300
Grommet	7070815

## COMPRESSOR MOUNTING





# Panasonic Industrial Company

Air Conditioning Department

# 2K24S3R236B-6A

208/230 V, 60 Hz R-22

## 2K24S3R236B-6A

Application Cooling only  
 Ref. Charge Limit 47.6 oz. 1350 g  
 Evaporating Temp. Range 14°F to 53.6°F -10°C to 12°C  
 Specification Number SC-52171274-A

## Rated Performance @230V<sup>1</sup>

Capacity 17,775 Btu/hr  
 Motor Input 1,665 Watts  
 Current 7.3 Amperes  
 E.E.R. 10.68 Btu/hr/ W

## Compressor Data

Pump Type Rotary  
 Displacement 24.3 cc/rev  
 Oil ATMOS M60 or equivalent  
 Oil Charge (Precharged) 14.6 fl. oz. 430 cc  
 Net Weight 35.7 lb 16.2 kg

## Motor Data

Motor Type Permanent Split Capacitor  
 Locked Rotor Amperes 42 A at 240 V  
 Winding Resistance Main: 1.989Ω, Aux: 2.130Ω  
 Max. Continuous Current<sup>2</sup>

## Maximum Operating Conditions

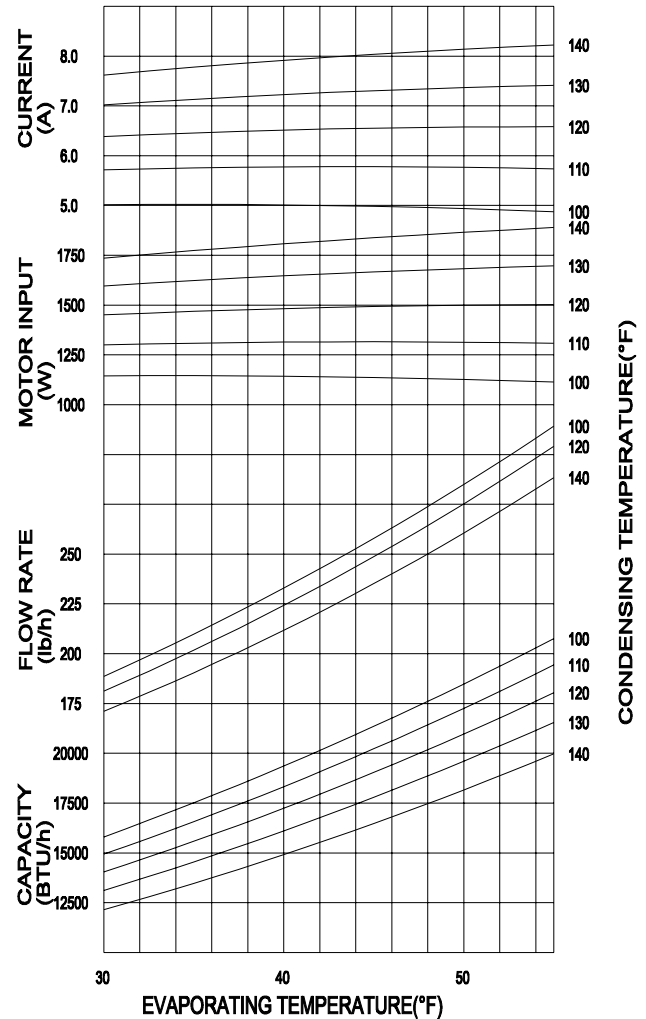
Condensing Temp. 149°F 65°C  
 Return Gas Temp. 95°F 35°C  
 Discharge Gas Temp. 239°F 115°C  
 Motor Wire Temp. 266°F 130°C

## Electrical Components

Overload Protector 7100534  
 Texas Instrument part # MRA 98982  
 Run Capacitor 35 μF/370 VAC

## <sup>1</sup>Rated @ASHRAE/T Conditions

Evaporating Temp. 45°F 7.2°C  
 Condensing Temp. 130°F 54.4°C  
 Return Gas Temp. 95°F 35.0°C  
 Liquid Temp. 115°F 46.1°C  
 Ambient Temp. 95°F 35.0°C



BTU 18,000

## Performance Data @230V

Based on:  
 Return gas Temp. 95°F 35.0°C  
 Liquid sub-cooling 15°F 8.3°C  
 Ambient 95°F 35.0°C

### COND. TEMP.

100°F	110°F	120°F	130°F	140°F
37.8°C	43.3°C	48.9°C	54.4°C	60°C

### EVAP. TEMP.

35° F 1.7°C	Btu/hr	17500	16555	15565	14535	13460
	Watts	1145	1305	1465	1620	1770
	Amperes	5.0	5.7	6.5	7.1	7.8

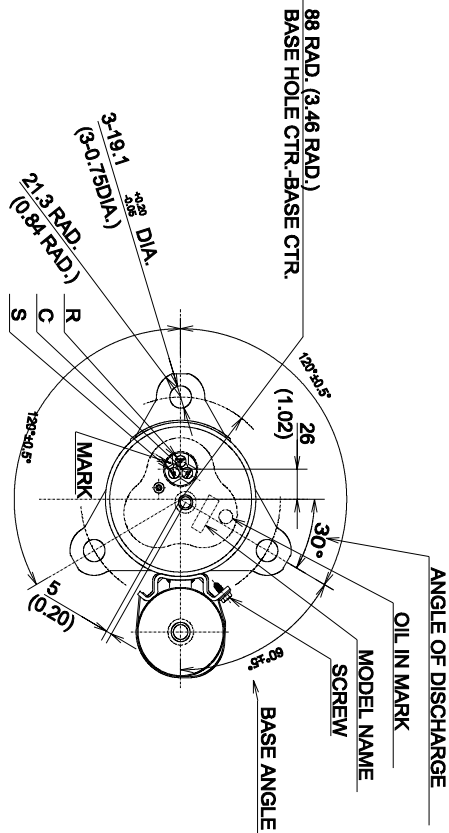
45° F 7.2°C	Btu/hr	21330	20205	19025	17775	16460
	Watts	1135	1315	1490	1665	1835
	Amperes	5.0	5.8	6.5	7.3	8.0

55° F 12.8°C	Btu/hr	25745	24425	23025	21540	19965
	Watts	1110	1305	1500	1695	1890
	Amperes	4.9	5.7	6.6	7.4	8.2

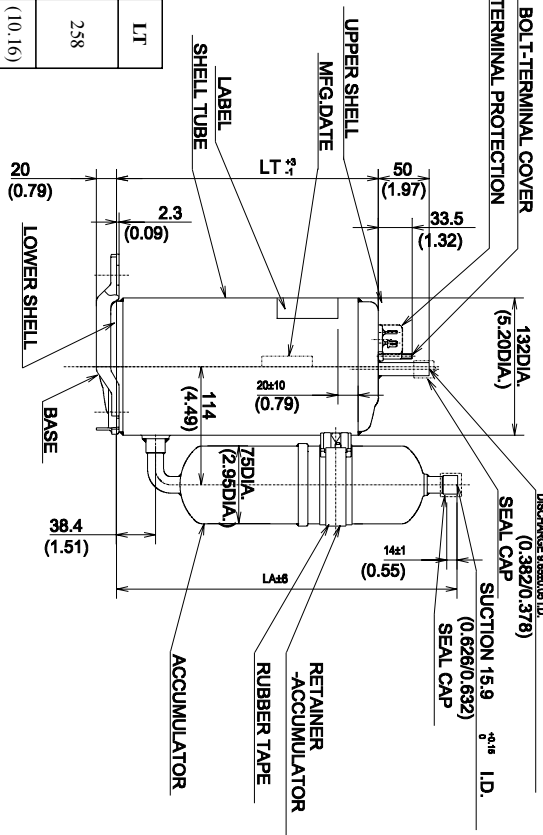
# 2K24S3R236B-6A

208/230 V, 60 Hz R-22

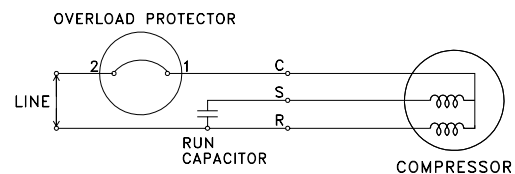
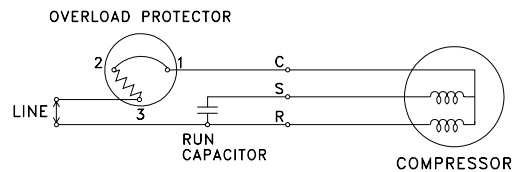
BTU 18,000



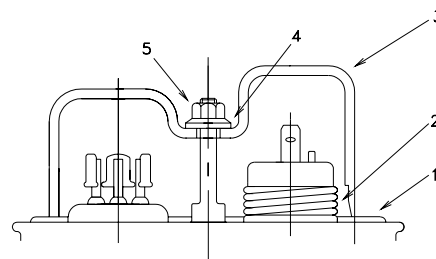
LA	LT
336	258
(13.23)	(10.16)



## WIRING DIAGRAM

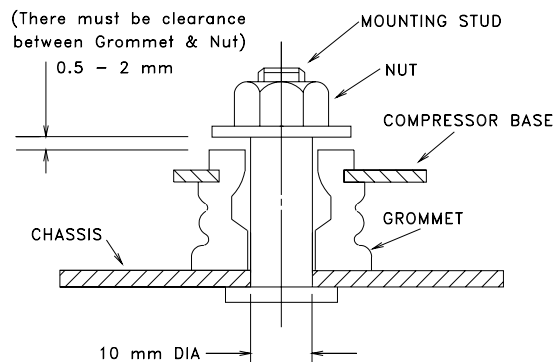


## COMPRESSOR ACCESSORIES



Accessories	Part Number
1 Gasket-Terminal Cover	7070620U
2 Spring-OLP hold down	7041200
3 Terminal Cover	7070219U
4 Gasket-Nut	7070621U
5 Nut-Terminal Cover	7080300
Grommet	7070815

## COMPRESSOR MOUNTING



This document sets forth certain operational parameters and conditions for operation of this product. If this product is operated outside of the parameters and conditions stated herein, buyer assumes sole and full responsibility and shall indemnify seller with respect to all product failures, and all consequences thereof. Operation of the product outside of the parameters and conditions specified herein shall serve to invalidate all seller warranties, if any, with respect to the product. Use this document as reference only. For specifications, please contact Panasonic's engineering department.

# Panasonic Industrial Company

Air Conditioning Department

# 2K25S3R236A-6C

208/230 V, 60 Hz R-22

## 2K25S3R236A-6C

Application Cooling Only  
 Ref. Charge Limit 38.8 oz. max. 1100 g  
 Evaporating Temp. Range 14°F to 53.6°F -10°C to 12°C  
 Specification Number SC-52171278-A

## Rated Performance @230V<sup>1</sup>

Capacity 18,050 Btu/hr  
 Motor Input 1,675 Watts  
 Current 7.4 Amperes  
 E.E.R. 10.78 Btu/hr/ W

## Compressor Data

Pump Type Rotary  
 Displacement 25.2 cc/rev  
 Oil ATMOS M60 or equivalent  
 Oil Charge (Precharged) 13.9 fl. oz. 410 cc  
 Net Weight 35.3 lb 16.0 kg

## Motor Data

Motor Type Permanent Split Capacitor  
 Locked Rotor Amperes 42 A at 240 V  
 Winding Resistance Main: 1.989Ω, Aux: 2.130Ω  
 Max. Continuous Current<sup>2</sup>

## Maximum Operating Conditions

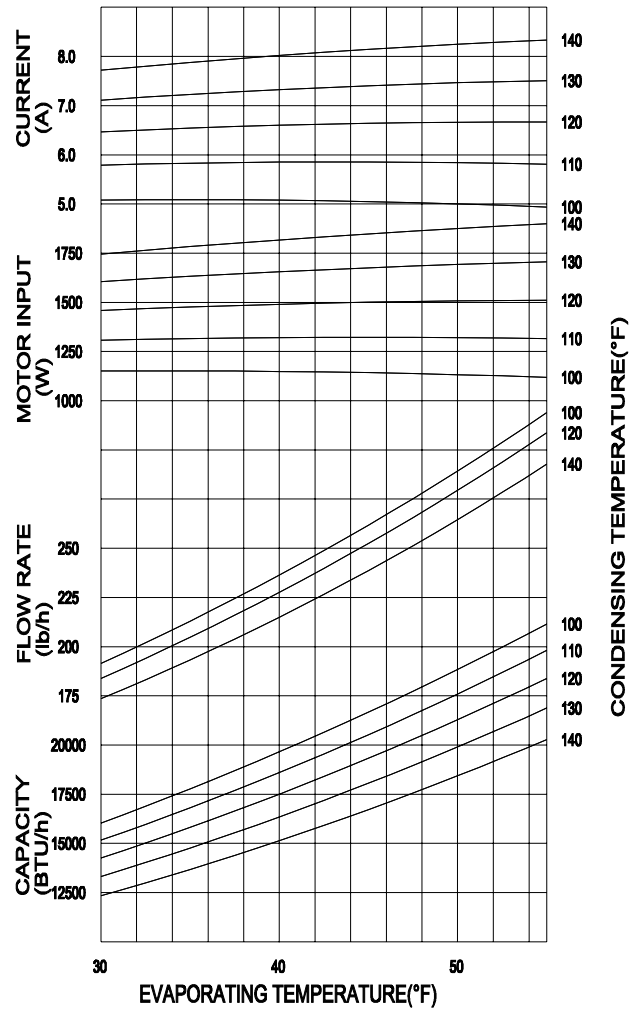
Condensing Temp. 149°F 65°C  
 Return Gas Temp. 95°F 35°C  
 Discharge Gas Temp. 239°F 115°C  
 Motor Wire Temp. 266°F 130°C

## Electrical Components

Overload Protector 7100534  
 Texas Instrument part # MRA98982  
 Run Capacitor 35 or 40 μF/370 VAC

## <sup>1</sup>Rated @ASHRAE/T Conditions

Evaporating Temp. 45°F 7.2°C  
 Condensing Temp. 130°F 54.4°C  
 Return Gas Temp. 95°F 35.0°C  
 Liquid Temp. 115°F 46.1°C  
 Ambient Temp. 95°F 35.0°C



BTU 18,000

## Performance Data @230V

Based on:  
 Return gas Temp. 95°F 35.0°C  
 Liquid sub-cooling 15°F 8.3°C  
 Ambient 95°F 35.0°C

### COND. TEMP.

100°F	110°F	120°F	130°F	140°F
37.8°C	43.3°C	48.9°C	54.4°C	60°C

### EVAP. TEMP.

35° F 1.7°C	Btu/hr	17770	16810	15805	14760	13665
	Watts	1150	1315	1475	1630	1785
	Amperes	5.1	5.8	6.5	7.2	7.9

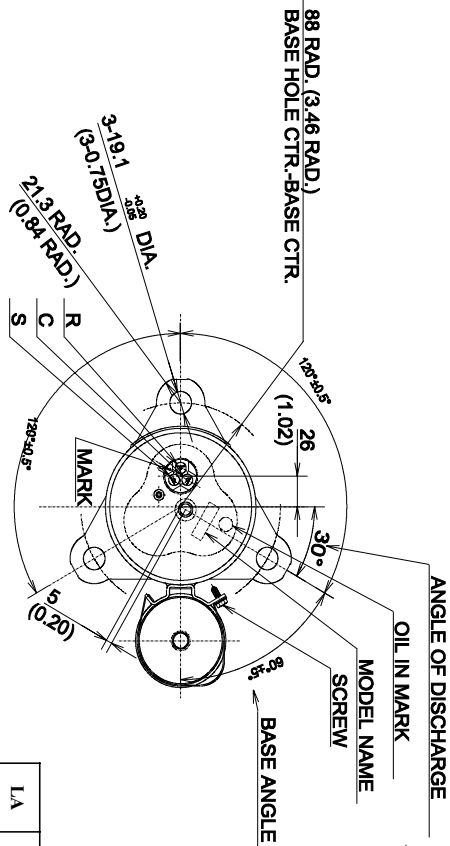
45° F 7.2°C	Btu/hr	21660	20520	19315	18050	16715
	Watts	1140	1320	1500	1675	1845
	Amperes	5.0	5.9	6.6	7.4	8.1

55° F 12.8°C	Btu/hr	26145	24800	23380	21875	20275
	Watts	1120	1315	1510	1705	1900
	Amperes	4.9	5.8	6.7	7.5	8.3

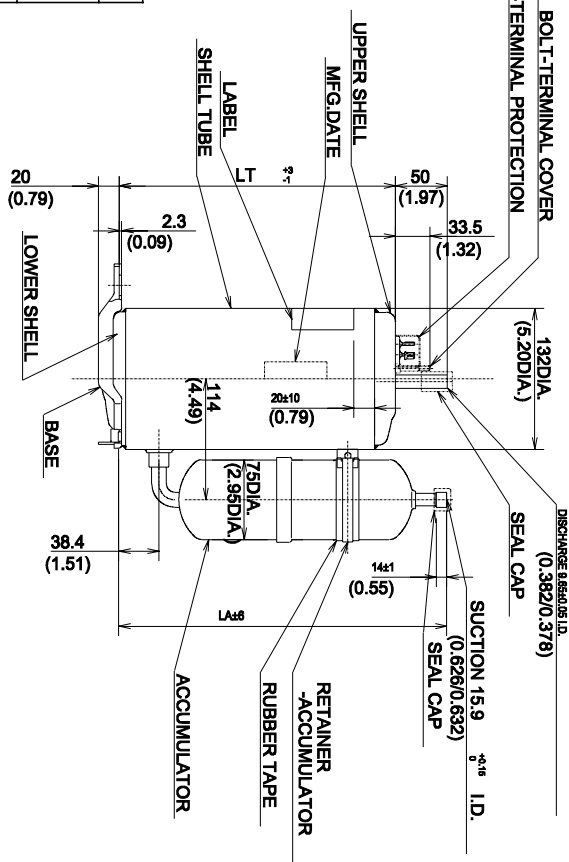
# 2K25S3R236A-6C

208/230 V, 60 Hz R-22

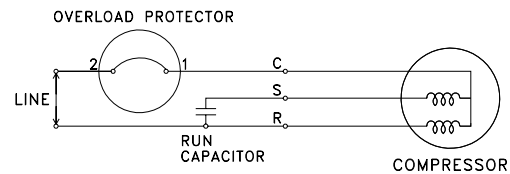
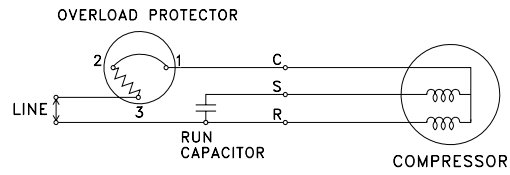
**BTU 18,000**



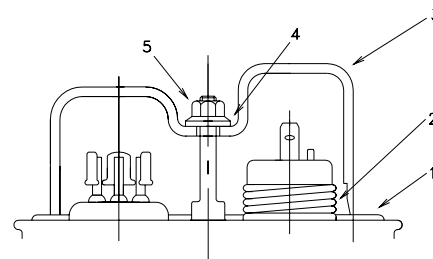
	LA	LT
	306	258
	(12.05)	(10.16)



## WIRING DIAGRAM

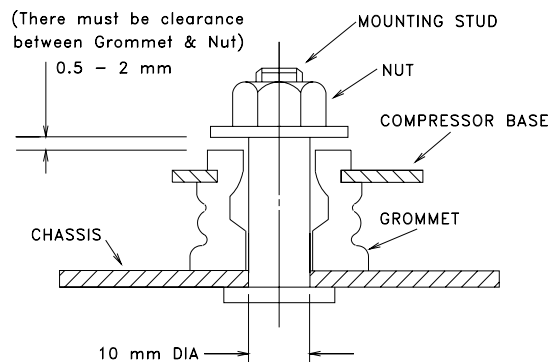


## COMPRESSOR ACCESSORIES



Accessories	Part Number
1 Gasket-Terminal Cover	7070620U
2 Spring-OLP hold down	7041200
3 Terminal Cover	7070219U
4 Gasket-Nut	7070621U
5 Nut-Terminal Cover	7080300
Grommet	7070815

## COMPRESSOR MOUNTING



# Panasonic Industrial Company

Air Conditioning Department

# 2K25S3R236A-7A

208/230 V, 60 Hz R-22

## 2K25S3R236A-7A

Application Cooling (C) / Heating (H)  
 Ref. Charge Limit (C/H) 38.8 oz. 1100 g  
 Evap. Temp. Range (C/H) 5°F to 53.6°F -15°C to 12°C  
 (C) 14°F to 53.6°F -10°C to 12°C  
 Specification Number SC-52170473-A

## Rated Performance @230V<sup>1</sup>

Capacity 18,055 Btu/hr  
 Motor Input 1,725 Watts  
 Current 7.6 Amperes  
 E.E.R. 10.47 Btu/hr/ W

## Compressor Data

Pump Type Rotary  
 Displacement 25.2 cc/rev  
 Oil ATMOS M60 or equivalent  
 Oil Charge (Precharged) 13.9 fl. oz. 410 cc  
 Net Weight 35.3 lb 16.0 kg

## Motor Data

Motor Type Permanent Split Capacitor  
 Locked Rotor Amperes 42 A at 240 V  
 Winding Resistance Main: 1.989Ω, Aux: 2.130Ω  
 Max. Continuous Current<sup>2</sup>

## Maximum Operating Conditions

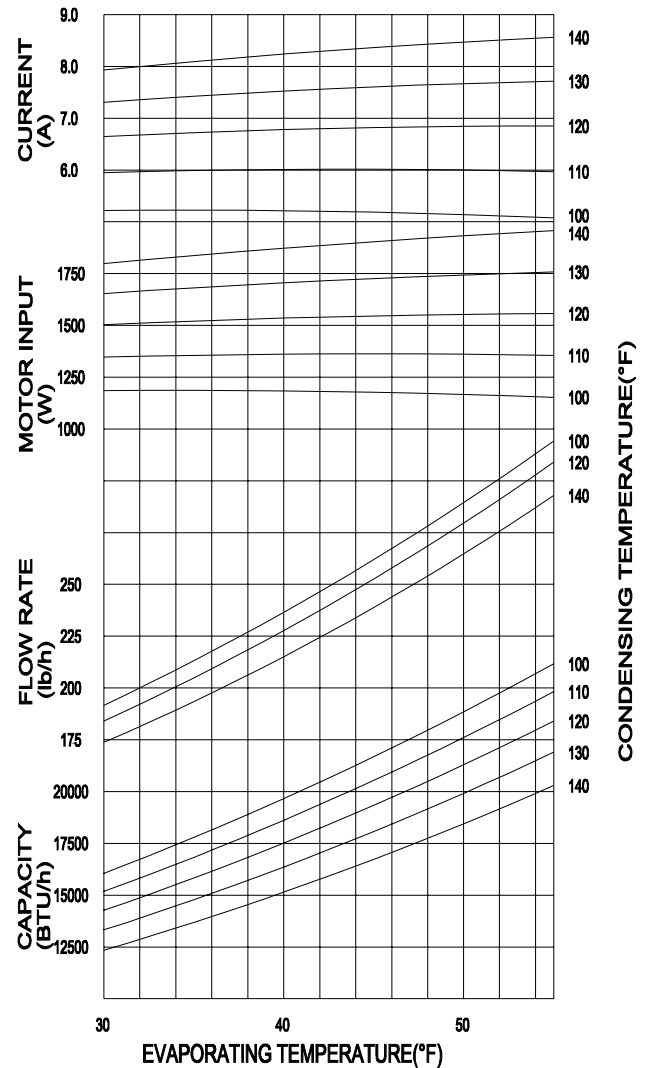
Condensing Temp. 149°F 65°C  
 Return Gas Temp. 95°F 35°C  
 Discharge Gas Temp. 239°F 115°C  
 Motor Wire Temp. 266°F 130°C

## Electrical Components

Overload Protector 7100534  
 Texas Instrument part # MRA 98982  
 Run Capacitor 35 or 40 μF/370 VAC

## <sup>1</sup>Rated @ASHRAE/T Conditions

Evaporating Temp. 45°F 7.2°C  
 Condensing Temp. 130°F 54.4°C  
 Return Gas Temp. 95°F 35.0°C  
 Liquid Temp. 115°F 46.1°C  
 Ambient Temp. 95°F 35.0°C



BTU 18,000

## Performance Data @230V

Based on:

Return gas Temp. 95°F 35.0°C  
 Liquid sub-cooling 15°F 8.3°C  
 Ambient 95°F 35.0°C

### COND. TEMP.

100°F	110°F	120°F	130°F	140°F
37.8°C	43.3°C	48.9°C	54.4°C	60°C

### EVAP. TEMP.

35° F 1.7°C	Btu/hr	17775	16815	15810	14765	13670
	Watts	1185	1355	1520	1680	1836
	Amperes	5.3	6.0	6.7	7.4	8.1

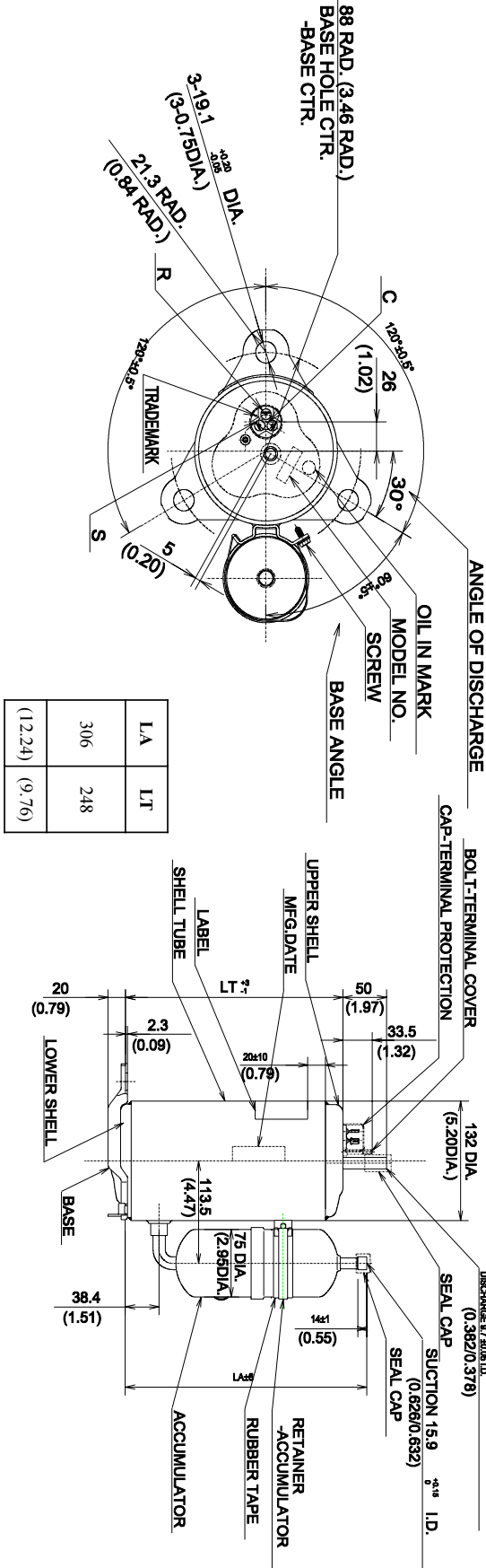
45° F 7.2°C	Btu/hr	21665	20525	19320	18055	16720
	Watts	1176	1361	1545	1725	1900
	Amperes	5.2	6.0	6.8	7.6	8.4

55° F 12.8°C	Btu/hr	26150	24810	23385	21880	20280
	Watts	1152	1354	1556	1757	1956
	Amperes	5.1	6.0	6.8	7.7	8.6

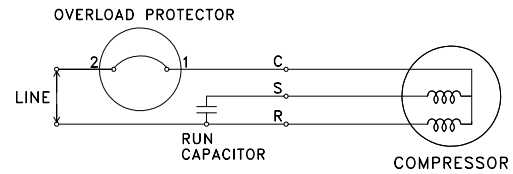
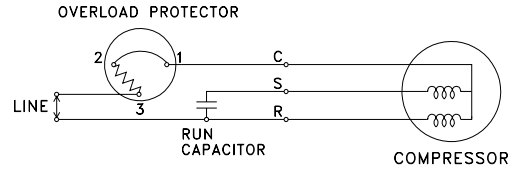
# 2K25S3R236A-7A

208/230 V, 60 Hz R-22

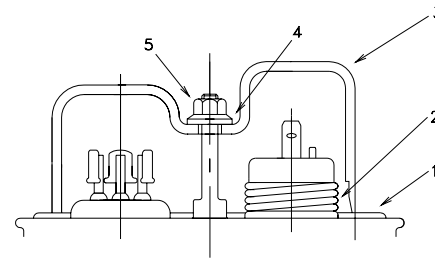
BTU 18,000



## WIRING DIAGRAM

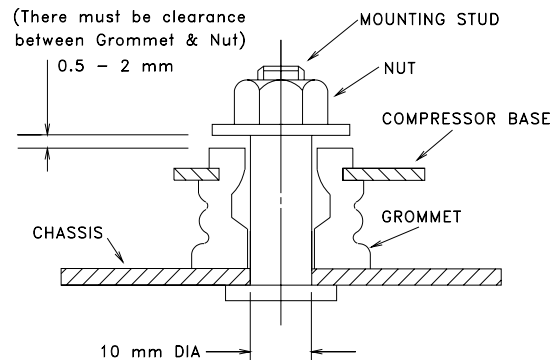


## COMPRESSOR ACCESSORIES



Accessories	Part Number
1 Gasket-Terminal Cover	7070620U
2 Spring-OLP hold down	7041200
3 Terminal Cover	7070219U
4 Gasket-Nut	7070621U
5 Nut-Terminal Cover	7080300
Grommet	7070815

## COMPRESSOR MOUNTING



# Panasonic Industrial Company

Air Conditioning Department

# 2K25S3R236A-7A

208/230 V, 60 Hz R-22

## 2K25S3R236A-7A

Application Cooling (C) / Heating (H)  
 Ref. Charge Limit (C/H) 38.8 oz. 1100 g  
 Evap. Temp. Range (C/H) 5°F to 53.6°F -15°C to 12°C  
 (C) 14°F to 53.6°F -10°C to 12°C  
 Specification Number SC-52170473-A

## Rated Performance @230V<sup>1</sup>

Capacity 18,055 Btu/hr  
 Motor Input 1,725 Watts  
 Current 7.6 Amperes  
 E.E.R. 10.47 Btu/hr/ W

## Compressor Data

Pump Type Rotary  
 Displacement 25.2 cc/rev  
 Oil ATMOS M60 or equivalent  
 Oil Charge (Precharged) 13.9 fl. oz. 410 cc  
 Net Weight 35.3 lb 16.0 kg

## Motor Data

Motor Type Permanent Split Capacitor  
 Locked Rotor Amperes 42 A at 240 V  
 Winding Resistance Main: 1.989Ω, Aux: 2.130Ω  
 Max. Continuous Current<sup>2</sup>

## Maximum Operating Conditions

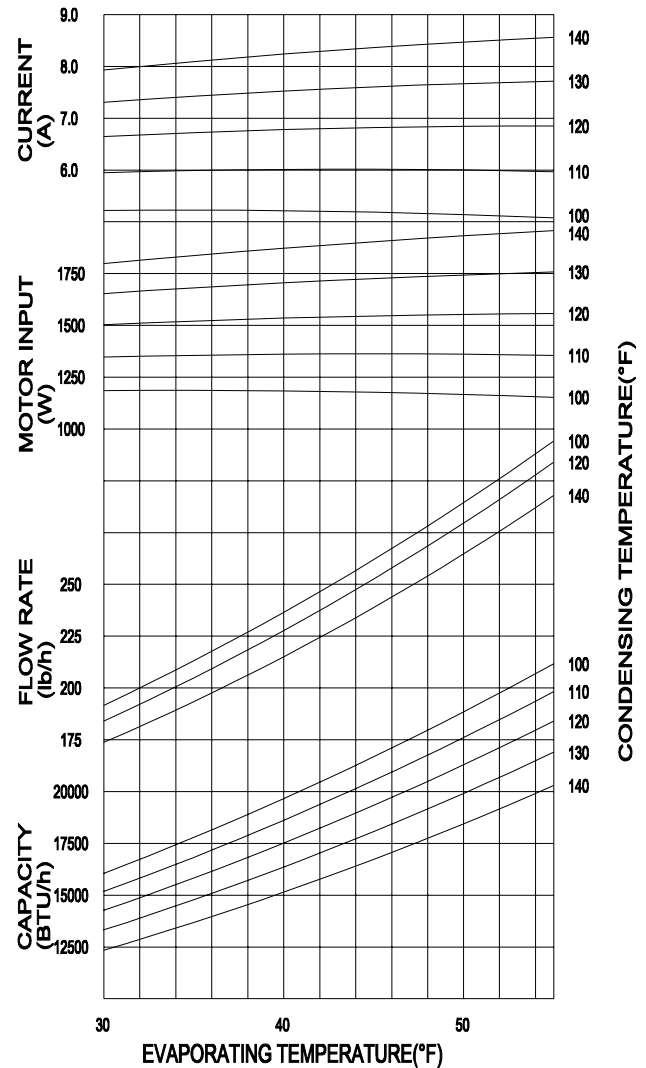
Condensing Temp. 149°F 65°C  
 Return Gas Temp. 95°F 35°C  
 Discharge Gas Temp. 239°F 115°C  
 Motor Wire Temp. 266°F 130°C

## Electrical Components

Overload Protector 7100534  
 Texas Instrument part # MRA 98982  
 Run Capacitor 35 or 40 μF/370 VAC

## <sup>1</sup>Rated @ASHRAE/T Conditions

Evaporating Temp. 45°F 7.2°C  
 Condensing Temp. 130°F 54.4°C  
 Return Gas Temp. 95°F 35.0°C  
 Liquid Temp. 115°F 46.1°C  
 Ambient Temp. 95°F 35.0°C



BTU 18,000

## Performance Data @230V

Based on:

Return gas Temp. 95°F 35.0°C  
 Liquid sub-cooling 15°F 8.3°C  
 Ambient 95°F 35.0°C

### COND. TEMP.

100°F	110°F	120°F	130°F	140°F
37.8°C	43.3°C	48.9°C	54.4°C	60°C

### EVAP. TEMP.

35° F 1.7°C	Btu/hr	17775	16815	15810	14765	13670
	Watts	1185	1355	1520	1680	1836
	Amperes	5.3	6.0	6.7	7.4	8.1

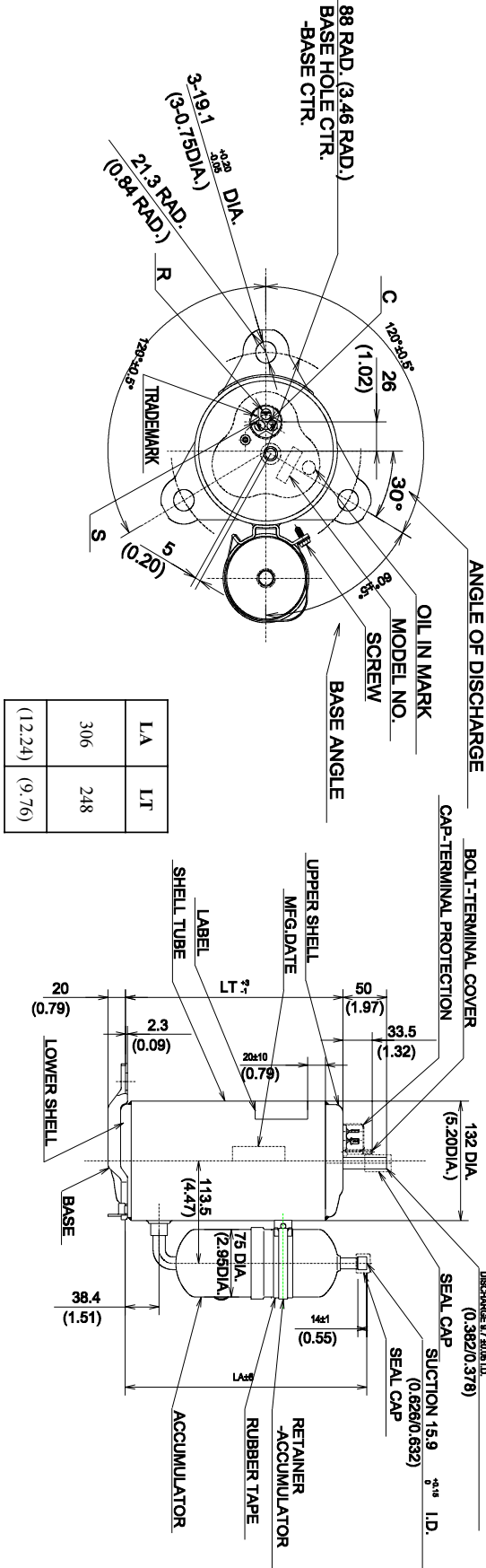
45° F 7.2°C	Btu/hr	21665	20525	19320	18055	16720
	Watts	1176	1361	1545	1725	1900
	Amperes	5.2	6.0	6.8	7.6	8.4

55° F 12.8°C	Btu/hr	26150	24810	23385	21880	20280
	Watts	1152	1354	1556	1757	1956
	Amperes	5.1	6.0	6.8	7.7	8.6

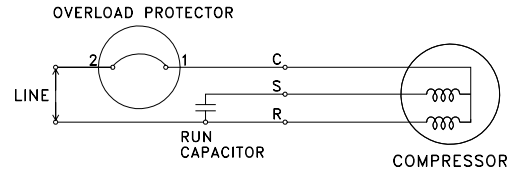
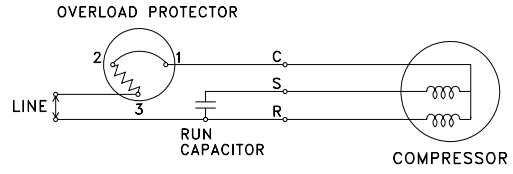
# 2K25S3R236A-7A

208/230 V, 60 Hz R-22

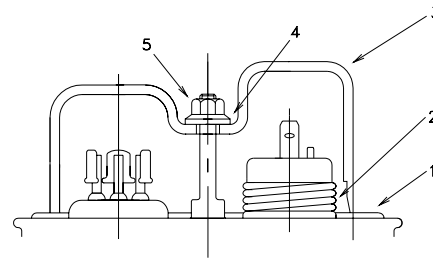
BTU 18,000



## WIRING DIAGRAM

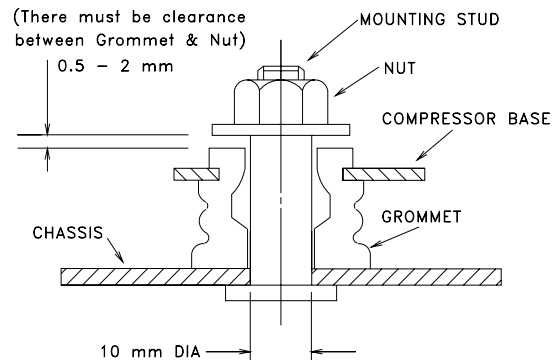


## COMPRESSOR ACCESSORIES



Accessories	Part Number
1 Gasket-Terminal Cover	7070620U
2 Spring-OLP hold down	7041200
3 Terminal Cover	7070219U
4 Gasket-Nut	7070621U
5 Nut-Terminal Cover	7080300
Grommet	7070815

## COMPRESSOR MOUNTING





# Panasonic Industrial Company

Air Conditioning Department

# 2K25S3R276A-6A

265/277 V, 60 Hz R-22

## 2K25S3R276A-6A

Application	Cooling (C) / Heating (H)	
Ref. Charge Limit (C/H)	33.5 oz.	950 g
	(C) 38.8 oz.	1100 g
Evap. Temp. Range (C/H)	5°F to 53.6°F	-15°C to 12°C
	(C) 14°F to 53.6°F	-10°C to 12°C
Specification Number	SC-52170531-B	

## Rated Performance @265V<sup>1</sup>

Capacity	18,055 Btu/hr
Motor Input	1,725 Watts
Current	6.6 Amperes
E.E.R.	10.47 Btu/hr/ W

## Compressor Data

Pump Type	Rotary	
Displacement	25.2 cc/rev	
Oil	ATMOS M60 or equivalent	
Oil Charge (Precharged)	13.9 fl. oz.	410 cc
Net Weight	35.3 lb	16.0 kg

## Motor Data

Motor Type	Permanent Split Capacitor	
Locked Rotor Amperes	35 A at 277 V	
Winding Resistance	Main: 2.223Ω, Aux: 2.004Ω	
Max. Continuous Current <sup>2</sup>		

## Maximum Operating Conditions

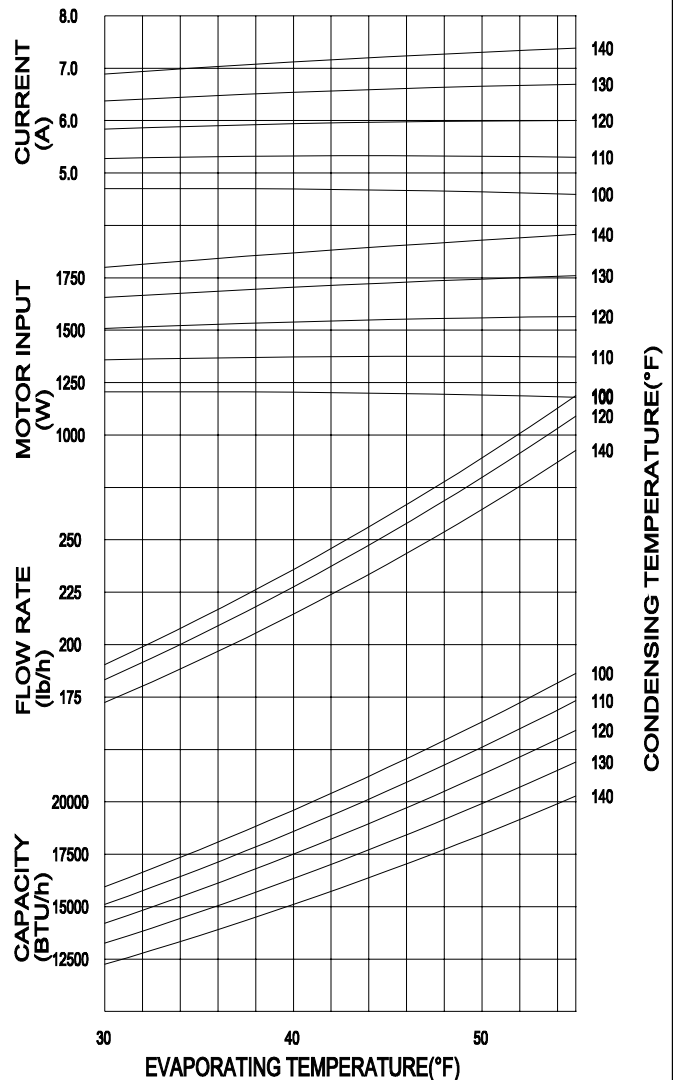
Condensing Temp.	149°F	65°C
Return Gas Temp.	95°F	35°C
Discharge Gas Temp.	239°F	115°C
Motor Wire Temp.	266°F	130°C

## Electrical Components

Overload Protector	7100039	
Texas Instrument part #	MRA98704	
Run Capacitor	35 μF/400 VAC	

## <sup>1</sup>Rated @ASHRAE/T Conditions

Evaporating Temp.	45°F	7.2°C
Condensing Temp.	130°F	54.4°C
Return Gas Temp.	95°F	35.0°C
Liquid Temp.	115°F	46.1°C
Ambient Temp.	95°F	35.0°C



BTU 18,000

## Performance Data @265V

Based on:

Return gas Temp.	95°F	35.0°C
Liquid sub-cooling	15°F	8.3°C
Ambient	95°F	35.0°C

### COND. TEMP

100°F	110°F	120°F	130°F	140°F
37.8°C	43.3°C	48.9°C	54.4°C	60°C

### EVAP. TEMP

35° F 1.7° C	Btu/hr	17690	16765	15780	14735	13620
	Watts	1205	1365	1525	1680	1835
	Amperes	4.7	5.3	5.9	6.5	7.0

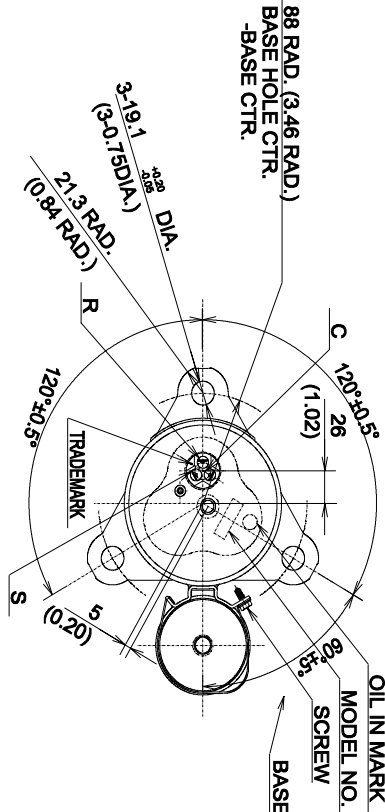
45° F 7.2° C	Btu/hr	21605	20500	19320	18055	16700
	Watts	1200	1375	1550	1725	1900
	Amperes	4.7	5.3	6.0	6.6	7.2

55° F 12.8° C	Btu/hr	26100	24795	23395	21885	20270
	Watts	1180	1370	1565	1760	1955
	Amperes	4.6	5.3	6.0	6.7	7.4

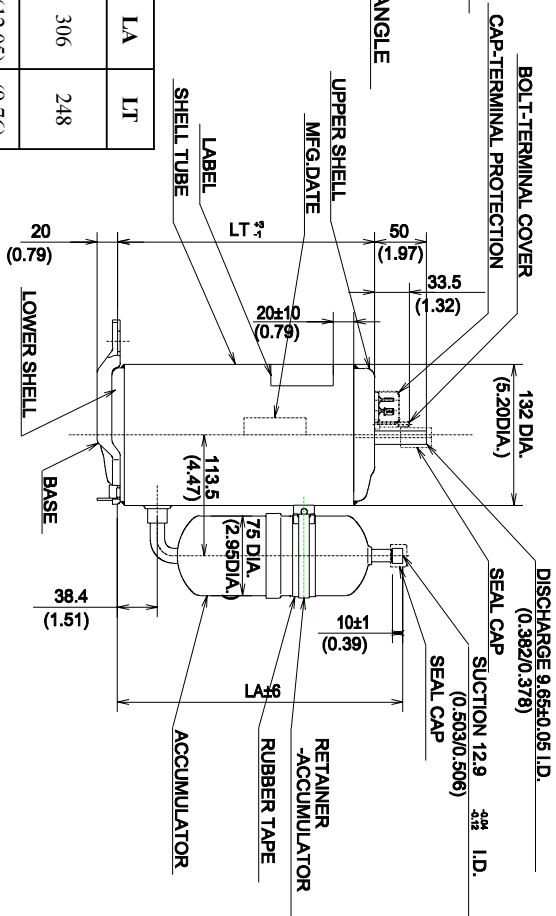
# 2K25S3R276A-6A

265/277 V, 60 Hz R-22

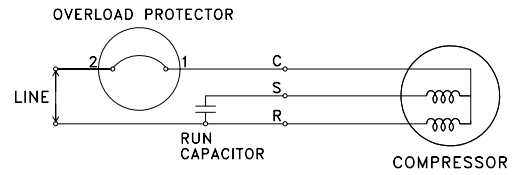
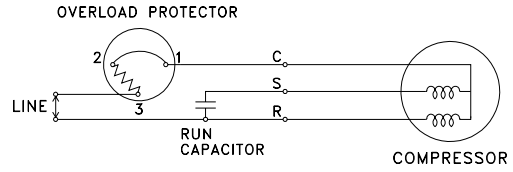
BTU 18,000



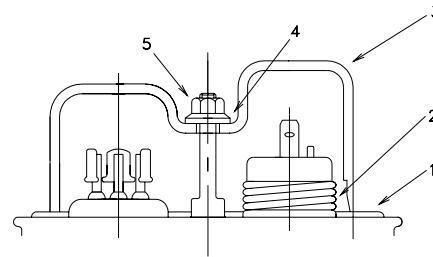
LA	LT
306	248
(12.05)	(9.76)



## WIRING DIAGRAM

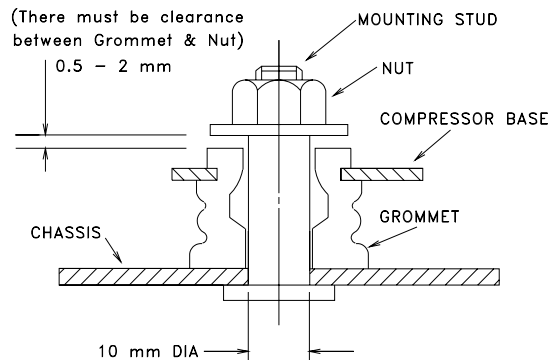


## COMPRESSOR ACCESSORIES



Accessories	Part Number
1 Gasket-Terminal Cover	7070620U
2 Spring-OLP hold down	7041200
3 Terminal Cover	7070219U
4 Gasket-Nut	7070621U
5 Nut-Terminal Cover	7080300
Grommet	7070815

## COMPRESSOR MOUNTING



# Panasonic Industrial Company

Air Conditioning Department

# 2K25S3R276A-6A

265/277 V, 60 Hz R-22

## 2K25S3R276A-6A

Application	Cooling (C) / Heating (H)	
Ref. Charge Limit (C/H)	33.5 oz.	950 g
	(C)	38.8 oz. 1100 g
Evap. Temp. Range (C/H)	5°F to 53.6°F	-15°C to 12°C
	(C)	14°F to 53.6°F -10°C to 12°C
Specification Number	SC-52170531-B	

## Rated Performance @265V<sup>1</sup>

Capacity	18,055 Btu/hr
Motor Input	1,725 Watts
Current	6.6 Amperes
E.E.R.	10.47 Btu/hr/ W

## Compressor Data

Pump Type	Rotary	
Displacement	25.2 cc/rev	
Oil	ATMOS M60 or equivalent	
Oil Charge (Precharged)	13.9 fl. oz.	410 cc
Net Weight	35.3 lb	16.0 kg

## Motor Data

Motor Type	Permanent Split Capacitor	
Locked Rotor Amperes	35 A at 277 V	
Winding Resistance	Main: 2.223Ω, Aux: 2.004Ω	
Max. Continuous Current <sup>2</sup>		

## Maximum Operating Conditions

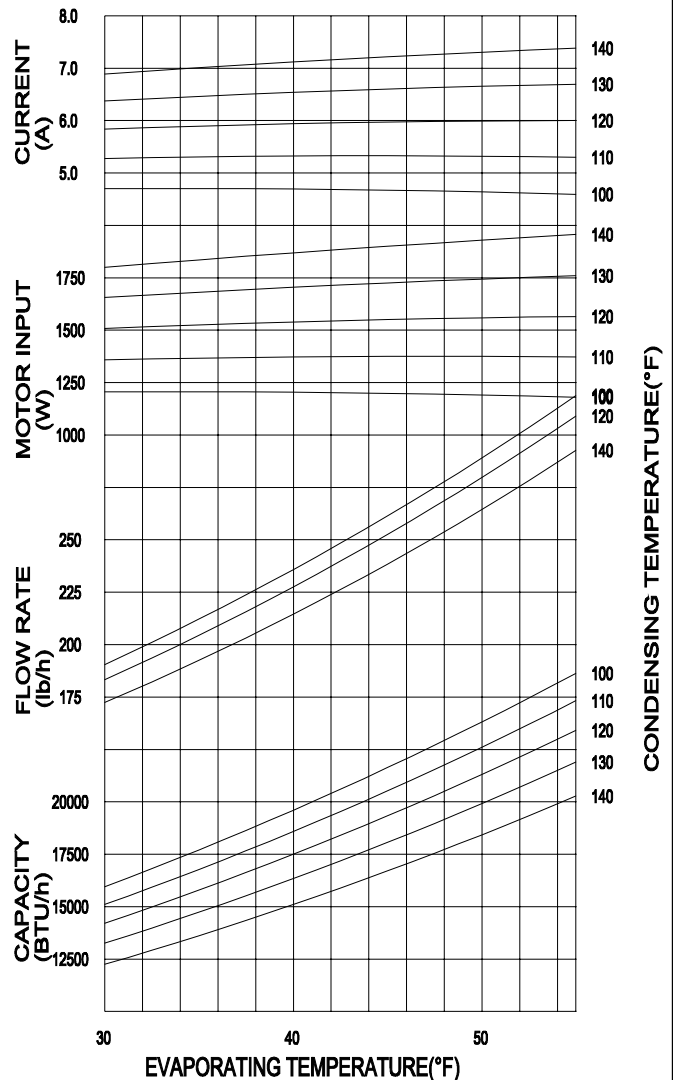
Condensing Temp.	149°F	65°C
Return Gas Temp.	95°F	35°C
Discharge Gas Temp.	239°F	115°C
Motor Wire Temp.	266°F	130°C

## Electrical Components

Overload Protector	7100039	
Texas Instrument part #	MRA98704	
Run Capacitor	35 μF/400 VAC	

## <sup>1</sup>Rated @ASHRAE/T Conditions

Evaporating Temp.	45°F	7.2°C
Condensing Temp.	130°F	54.4°C
Return Gas Temp.	95°F	35.0°C
Liquid Temp.	115°F	46.1°C
Ambient Temp.	95°F	35.0°C



BTU 18,000

## Performance Data @265V

Based on:

Return gas Temp.	95°F	35.0°C
Liquid sub-cooling	15°F	8.3°C
Ambient	95°F	35.0°C

### COND. TEMP

100°F	110°F	120°F	130°F	140°F
37.8°C	43.3°C	48.9°C	54.4°C	60°C

### EVAP. TEMP

35° F 1.7° C	Btu/hr	17690	16765	15780	14735	13620
	Watts	1205	1365	1525	1680	1835
	Amperes	4.7	5.3	5.9	6.5	7.0

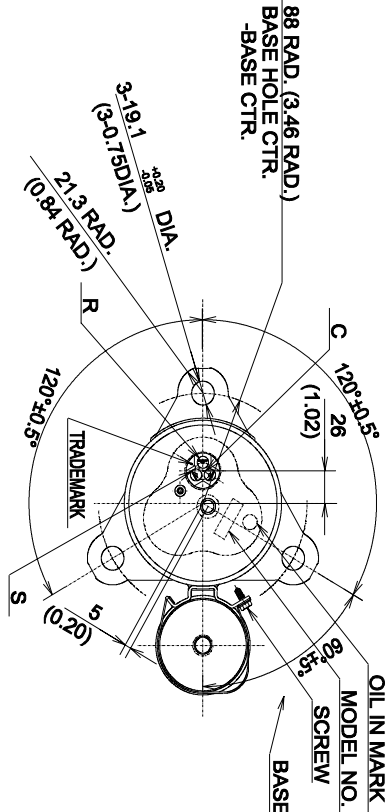
45° F 7.2° C	Btu/hr	21605	20500	19320	18055	16700
	Watts	1200	1375	1550	1725	1900
	Amperes	4.7	5.3	6.0	6.6	7.2

55° F 12.8° C	Btu/hr	26100	24795	23395	21885	20270
	Watts	1180	1370	1565	1760	1955
	Amperes	4.6	5.3	6.0	6.7	7.4

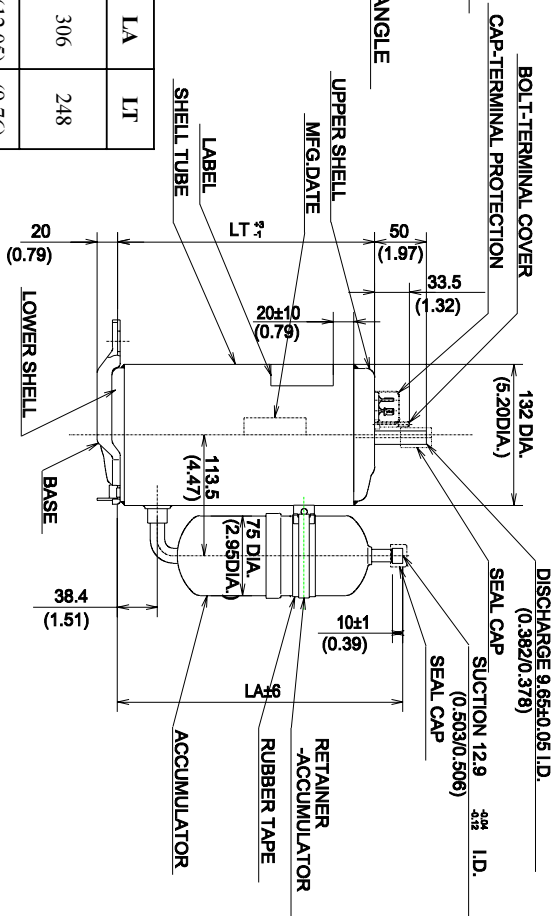
# 2K25S3R276A-6A

265/277 V, 60 Hz R-22

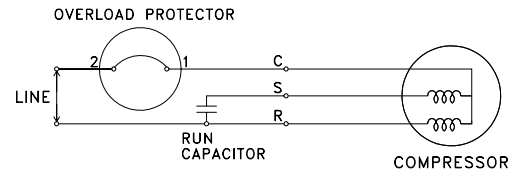
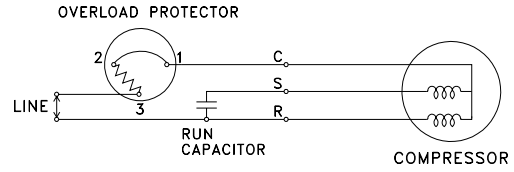
BTU 18,000



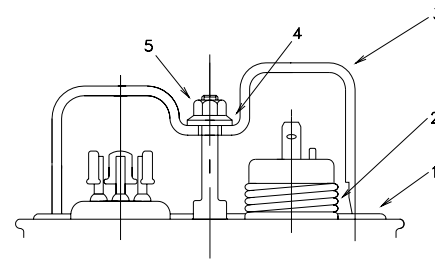
LA	LT
306	248
(12.05)	(9.76)



## WIRING DIAGRAM

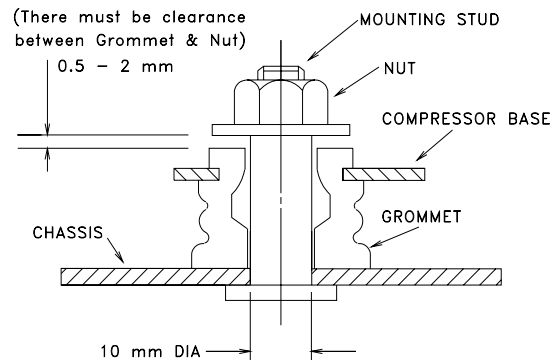


## COMPRESSOR ACCESSORIES



Accessories	Part Number
1 Gasket-Terminal Cover	7070620U
2 Spring-OLP hold down	7041200
3 Terminal Cover	7070219U
4 Gasket-Nut	7070621U
5 Nut-Terminal Cover	7080300
Grommet	7070815

## COMPRESSOR MOUNTING



This document sets forth certain operational parameters and conditions for operation of this product. If this product is operated outside of the parameters and conditions stated herein, buyer assumes sole and full responsibility and shall indemnify seller with respect to all product failures, and all consequences thereof. Operation of the product outside of the parameters and conditions specified herein shall serve to invalidate all seller warranties, if any, with respect to the product. Use this document as reference only. For specifications, please contact Panasonic's engineering department.

# Panasonic Industrial Company

Air Conditioning Department

# 2K28S3R236A-6A

208/230 V, 60 Hz R-22

## 2K28S3R236A-6A

Application	Cooling (C) / Heating (H)	
Ref. Charge Limit (C/H)	35.3 oz. max.	1000 g
	(C) 38.8 oz. max.	1100 g
Evap. Temp. Range (C/H)	5°F to 53.6°F	-15°C to 12°C
	(C) 14°F to 53.6°F	-10°C to 12°C
Specification Number	SC-52170399-C	

## Rated Performance @230V<sup>1</sup>

Capacity	20,315 Btu/hr
Motor Input	1,900 Watts
Current	8.3 Amperes
E.E.R.	10.69 Btu/hr/ W

## Compressor Data

Pump Type	Rotary	
Displacement	28.2 cc/rev	
Oil	ATMOS M60 or equivalent	
Oil Charge (Precharged)	14.5 fl. oz.	430 cc
Net Weight	37.9 lb	17.2 kg

## Motor Data

Motor Type	Permanent Split Capacitor	
Locked Rotor Amperes	49 A at 240 V	
Winding Resistance	Main: 1.494Ω, Aux: 1.782Ω	
Max. Continuous Current <sup>2</sup>		

## Maximum Operating Conditions

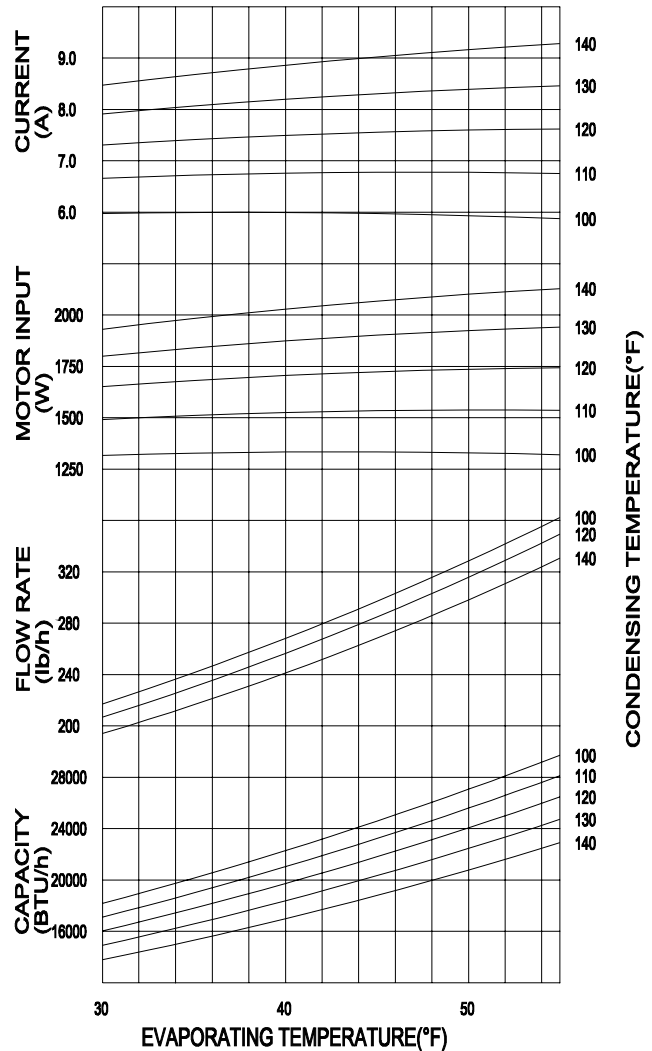
Condensing Temp.	149°F	65°C
Return Gas Temp.	95°F	35°C
Discharge Gas Temp.	239°F	115°C
Motor Wire Temp.	266°F	130°C

## Electrical Components

Overload Protector	Internal
Run Capacitor	45 μF/370 VAC

## <sup>1</sup>Rated @ASHRAE/T Conditions

Evaporating Temp.	45°F	7.2°C
Condensing Temp.	130°F	54.4°C
Return Gas Temp.	95°F	35.0°C
Liquid Temp.	115°F	46.1°C
Ambient Temp.	95°F	35.0°C



## Performance Data @230V

Based on:

Return gas Temp.	95°F	35.0°C
Liquid sub-cooling	15°F	8.3°C
Ambient	95°F	35.0°C

### COND. TEMP.

100°F	110°F	120°F	130°F	140°F
37.8°C	43.3°C	48.9°C	54.4°C	60°C

### EVAP. TEMP.

35° F 1.7°C	Btu/hr	20130	18970	17780	16555	15290
	Watts	1325	1510	1680	1840	1980
	Amperes	6.0	6.7	7.4	8.1	8.7

45° F 7.2°C	Btu/hr	24565	23205	21790	20315	18780
	Watts	1330	1530	1720	1900	2065
	Amperes	6.0	6.8	7.6	8.3	9.0

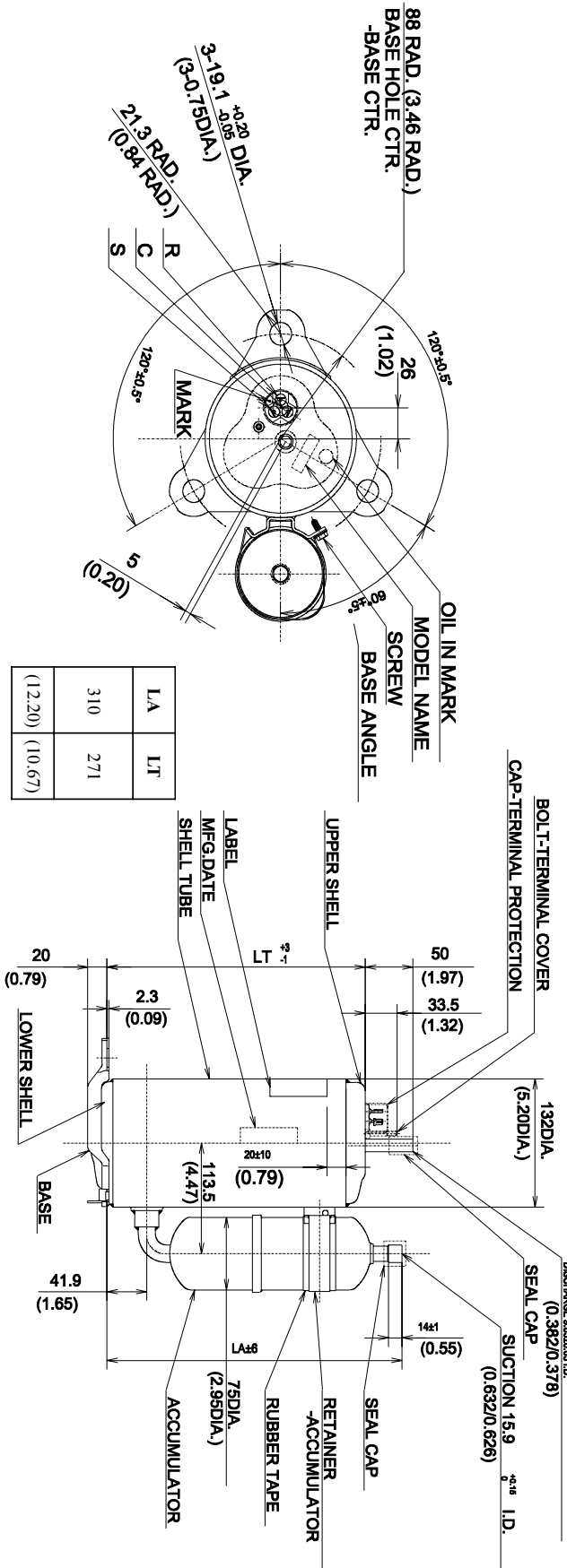
55° F 12.8°C	Btu/hr	29685	28100	26445	24705	22880
	Watts	1320	1535	1740	1940	2125
	Amperes	5.9	6.8	7.6	8.5	9.3

BTU 20,000

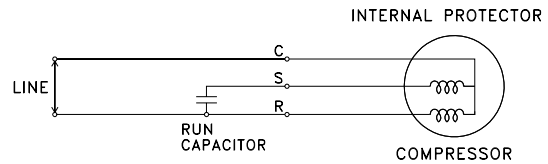
# 2K28S3R236A-6A

208/230 V, 60 Hz R-22

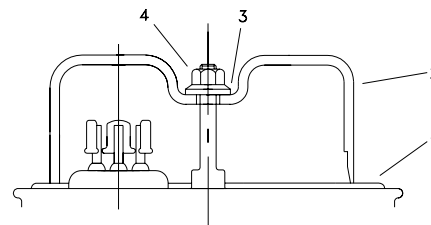
BTU 20,000



## WIRING DIAGRAM

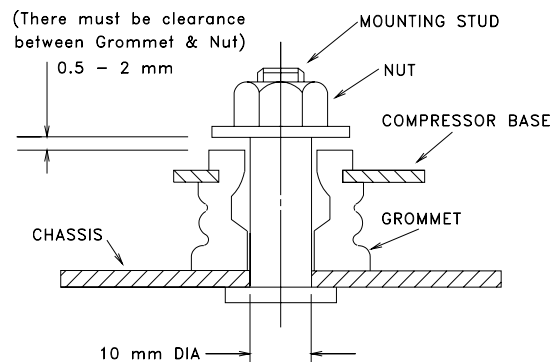


## COMPRESSOR ACCESSORIES



Accessories	Part Number
1 Gasket-Terminal Cover	7070620U
2 Terminal Cover	7070219U
3 Gasket-Nut	7070621U
4 Nut-Terminal Cover	7080300
Grommet	7070815

## COMPRESSOR MOUNTING



This document sets forth certain operational parameters and conditions for operation of this product. If this product is operated outside of the parameters and conditions stated herein, buyer assumes sole and full responsibility and shall indemnify seller with respect to all product failures, and all consequences thereof. Operation of the product outside of the parameters and conditions specified herein shall serve to invalidate all seller warranties, if any, with respect to the product. Use this document as reference only. For specifications, please contact Panasonic's engineering department.