



HANDBOOK
VALVES

Ed. 2017

 **Castel**[®]
Italian technology

GLOBE VALVES

These valves are available in the following two types:

- 6512 with straight solder connections
- 6532 with right-angle solder connections

The main parts of the globe valves are made with the following materials:

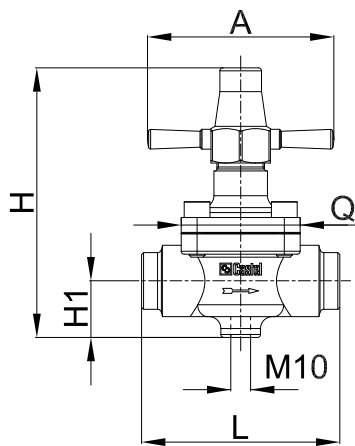
- Hot forged brass EN 12420 – CW 617N for body, cover and cap that covers the spindle
- Steel, with proper surface protection, for the spindle.
- Chloroprene rubber (CR) and aramid fibres for gland seal
- Metal-rubber laminate for outlet seal gaskets
- PTFE for seat gaskets.

TABLE 14: General characteristics of globe valves

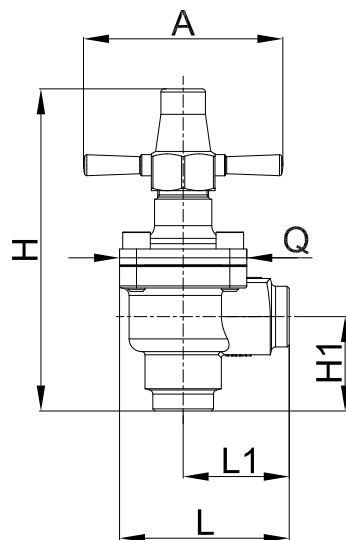
Catalogue Number	Connections				Kv Factor [m ³ /h]	PS [bar]	TS [°C]		TA [°C]		Risk Category according to PED Recast
	ODS		ODM				min.	max.	min.	max.	
	Ø [in.]	Ø [mm]	Ø [in.]	Ø [mm]							
6512/M22	–	22	–	28	7,1	45	-35	+160	-35	+50	Art. 4.3
6512/7	7/8"	–	1.1/8"	–							
6512/M28	–	28	1.3/8"	35	8,4						
6512/9	1.1/8"	–	1.3/8"	35							
6512/11	1.3/8"	35	1.5/8"	–	15,0						
6512/13	1.5/8"	–	2"	–	25,0						
6512/M42	–	42	2"	–							
6512/17	2.1/8"	54	–	–	40,0						
6532/M22	–	22	–	28	8,2						
6532/7	7/8"	–	1.1/8"	–							
6532/M28	–	28	1.3/8"	35	9,1						
6532/9	1.1/8"	–	1.3/8"	35							
6532/11	1.3/8"	35	1.5/8"	–	18,7						
6532/13	1.5/8"	–	2"	–	38,0						
6532/M42	–	42	2"	–							
6532/17	2.1/8"	54	–	–	48,5						

TABLE 15: Dimensions and weights of globe valves

Catalogue Number	Dimensions [mm]						Weight [g]
	H	H1	L	L1	Q	A	
6512/M22	136	28,5	100	-	60	94	1415
6512/7							1310
6512/M28							
6512/9							
6512/11	166	34	118	-	68	126	2020
6512/13	199	37	141	-	88	138	3500
6512/M42							5050
6512/17	215	42,5	173	-	104	-	
6532/M22	147	44,5	80	50	60	94	1350
6532/7							1290
6532/M28							
6532/9							
6532/11	165	52,5	93	59	68	126	1910
6532/13	238	65	139	86,5	104	138	4920
6532/M42							4765
6532/17							



6512



6532

www.castel.it



ed. 002-VR-ENG

Castel can accept no responsibility for any errors or changes in the catalogues, handbooks, brochures and other printed material. Castel reserves the right to make changes and improvements to its products without notice. All trademarks mentioned are the property of their respective owners.

The name and Castel logotype are registered trademarks of Castel Srl.
All rights reserved.

Castel Srl - Via Provinciale 2-4 - 20060 Pessano con Bornago - MI