

# ROTARY COMPRESSOR

COMPRESSOR TECHNOLOGY  
FOR AIR-CONDITIONING &  
HEATPUMP APPLICATIONS



## GLOBAL NETWORK

### Changwon, Korea

· Address 76 Seongsan-dong, Changwon City  
Gyeongnam, 641-713, South Korea  
· Phone +82-55-269-3868  
· Fax +82-55-268-4896  
· Website [www.lge.com/global/business](http://www.lge.com/global/business)

### Tianjin, China

· Address No. 9 Jin Wei road,  
Bei Chen Dist, Tianjin, China  
· Phone +86-22-2690-3251

### Rayong, Thailand

· Address LG Electronics(Thailand) Co., Ltd  
192 Moo 1, Pluakdaeng Rd.  
Tambon Tasith, Ampur Pluakdaeng,  
Rayong 21140  
· Phone +66-038-923-105  
+66-038-923-119

For continual product development, LG reserves the right to change specifications without notice.  
© LG Electronics Inc. Printed in Korea. Oct, 2019



# WHY LG COMPRESSOR?

LG Component Solutions Business Unit offers meaningful and unique solutions to meet modern sustainability standards with environmentally sound and energy-efficient technologies.

To continue to deliver the highest level of satisfaction to all our partners, we will continue with our technological advancements to supply only the best sustainable components and inverter total solutions optimized for residential and commercial environments.



## TECHNOLOGY

LG compressors are a group of high-precision machinery and assembly technologies continuously designed to perform even under the most challenging environments. Built with today's leading core technology, inverter motor and drive for optimized products developed to work around the world's evolving needs.

## MODEL VARIETY

With an extensive product portfolio, LG offers a selection of three air conditioning compressors: single, twin, and two stage rotary, to fully support various business needs and applications.

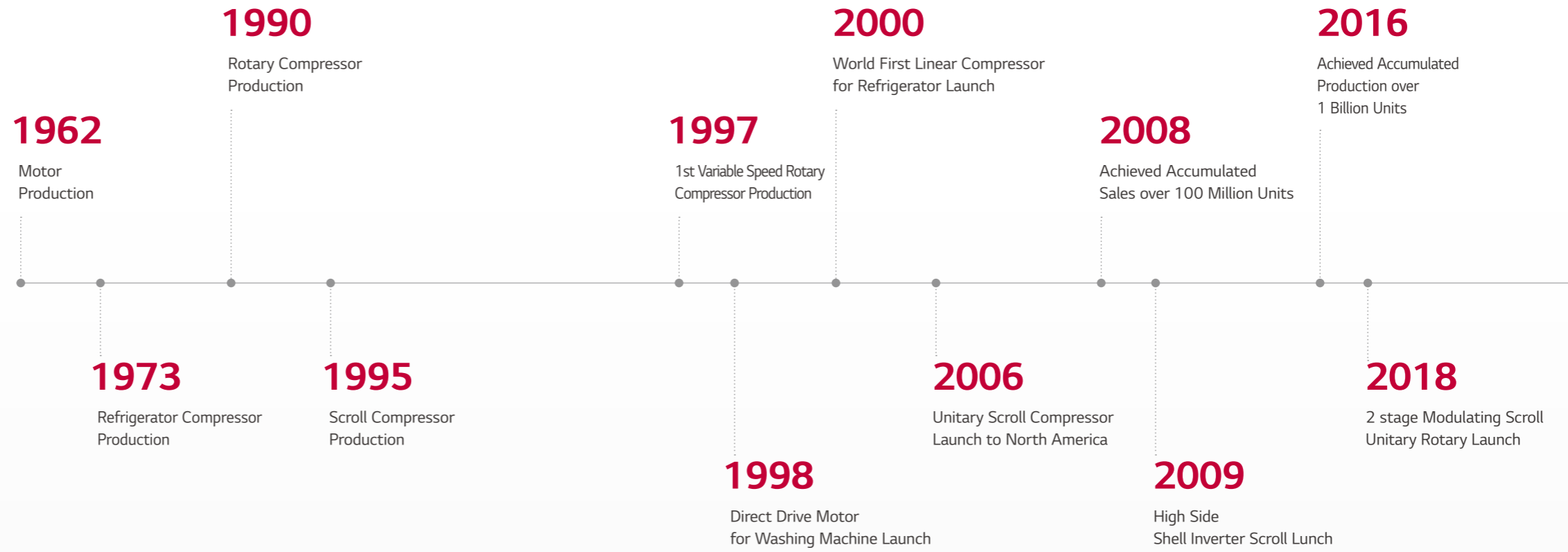
## CUSTOMER SUPPORT

Enabling customers for optimal business performance, LG offers technical support to ensure our products are delivered with the differentiated level of quality verifiable through our highly qualified R&D process.

## QUALITY

With worldwide recognition for high product quality and sustainability, LG ensures all products are delivered at full value with production quality and safety checks to ensure full customer satisfaction.

# MILESTONES & GLOBAL SITE



○ SALES OFFICE 12 SITE

○ FACTORY 7 SITE

Linear	Korea, China (Taizhou)
Reciprocating	Korea, China (Taizhou), India (Noida)
Rotary	Korea, China (Tianjin), Thailand (Rayong)
Scroll	Korea, China (Tianjin)
Casting	China (Qinhuangdao)



# CONTENTS

---

Why LG Compressor?	01
Milestones & Global Site	02
<b>LG Rotary Compressor</b>	
- Product Range	06
- Nomenclature	07
- Specification   Variable Speed R410A	08
- Specification   Variable Speed R32	12
- Specification   Fixed Speed R410A	16
- Specification   Fixed Speed R32	24
- Specification   Fixed Speed R22	28
- Specification   Special Application	38
- Wiring Diagram	48
- Mounting	48
- Accessory Parts	49
- Packing & Container Stuffing Quantity	49

## Product Range

### Variable Speed (Inverter)

Capacity [kW, R410A/R32]	1.3	2.2	2.8	3.5	4.5	5.3	6.3	7.0	8.3	9.0	10.3	14.0	15.0	16.0					
Displacement [cc/rev.]	4.5	6.6	7.2	8.0	9.2	10.2	11.0	12.5	13.4	14.1	15.6	17.6	20.8	24.0	32.5	33.0	37.6	44.2	52.5
Refrigerant	R410A																		
	R134a																		
	R32																		
Magnet																			
	Cylinder																		

### Fixed Speed

Frame	S (Φ90mm)	A (Φ101mm)	K (Φ112mm)	J (Φ121mm)	V (Φ132mm)	P (Φ139mm)							
Displacement [cc/rev]	4.0	4.8	8.0	12.5	15.1	22.2	25.0	28.0	36.2	40.7	52.5		
Capacity [KW]	R134a	1.3	1.5	2.2									
	R410A	1.3	2.3	4.5	5.4	6.9							
	R22	1.0	1.5	2.6	3.2	3.9	5.3	5.8	7.6	8.8	8.8		
	R290	1.5	1.8	2.0									
	R32	2.2	2.5	2.7	3.0	4.4	4.6	5.6	6.1	7.8	8.2		
Refrigerant	R134a												
	R410A												
	R22												
	R290												
	R32												
Cylinder													

## Nomenclature

**G K T 141 M A A**

**Refrigerant**

D : R32      K : R290  
 E : R134a    N : R407C  
 G : R410A    Q : R22

**Compressor size (mm)**

S : Φ90      J : Φ122  
 A : Φ101    V : Φ132  
 K : Φ112    P : Φ139

**Generation code**  
 (A-Z)  
 T : Twin                      R : Horizontal

**Capacity**  
 Displacement  
 (ex : 141 = 14.1cc/rev)

**Exterior specification**  
 (A-Z)

**Motor specification**  
 (A-Z)

**Motor code**

Series	Power source (V)			Motor
	Phase (Φ)	V	HZ	
C	1	115	60	Constant
G	1	220	60	↑
H	1	220	50	↑
J	1	200 / 220	50	↑
K	1	208-230	60	↑
P	1	220 / 240	50	↑
Q	1	265	60	↑
Y	3	330 / 420	50	↑
U	3	380	60	↑
D	BLDC Inverter			BLDC / Distributed
M	BLDC Inverter			BLDC / Distributed

# Specification

## Variable Speed R410A [1 of 2]

Refrigerant	Type	Series	Model	Magnet	Power	Cooling capacity		Input	EER	COP
						Btu/hr	Watts	Watts	Btu/W-hr	W/W
R410A	1 Piston	GSG	GSG045MJ	NdFeB	DC280V	4,705	1,379	402	11.7	3.4
			GSG066MJ	NdFeB		6,900	2,022	590	11.7	3.4
			GSG075MJ	NdFeB		7,800	2,286	684	11.4	3.34
			GSG089MJ	NdFeB		9,900	2,901	875	11.3	3.3
			GSG089MK	NdFeB		9,900	2,901	880	11.3	3.3
			GSG089MC	NdFeB		9,900	2,901	1,024	9.67	2.83
			GSG102MK	NdFeB		10,950	3,209	1,015	10.8	3.2
			GSG102MJ	NdFeB		10,950	3,209	1,010	10.8	3.2
			GSG102MC	NdFeB		10,950	3,209	952	11.5	3.4
		GA	GA092MC	NdFeB	DC280V	9,900	2,958	893	11.1	3.3
			GA102MF	Ferrite		11,000	3,223	974	11.3	3.3
			GA102MK	NdFeB		10,900	3,194	950	11.5	3.4
			GA102MJ	NdFeB		10,800	3,165	947	11.4	3.3
			GA108MJ	NdFeB		11,400	3,341	991	11.5	3.4
GA140MA	NdFeB	15,000	4,396	1,339	11.2	3.3				

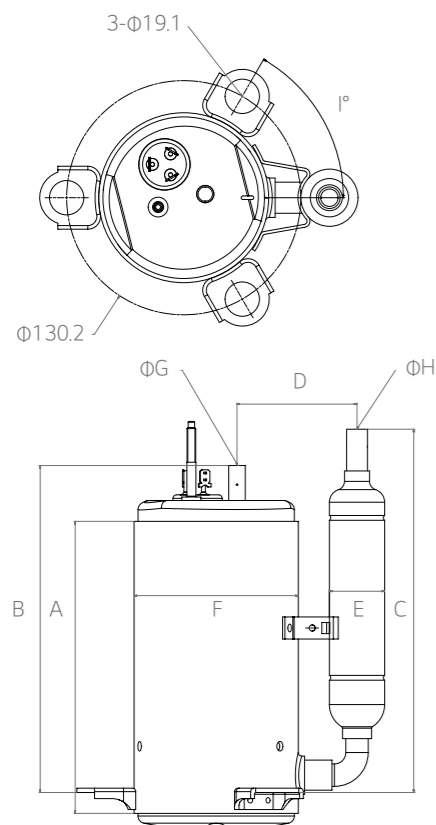
Note1 : Figures in the table are subject to change without prior notice for performance improvement.

Note2 :

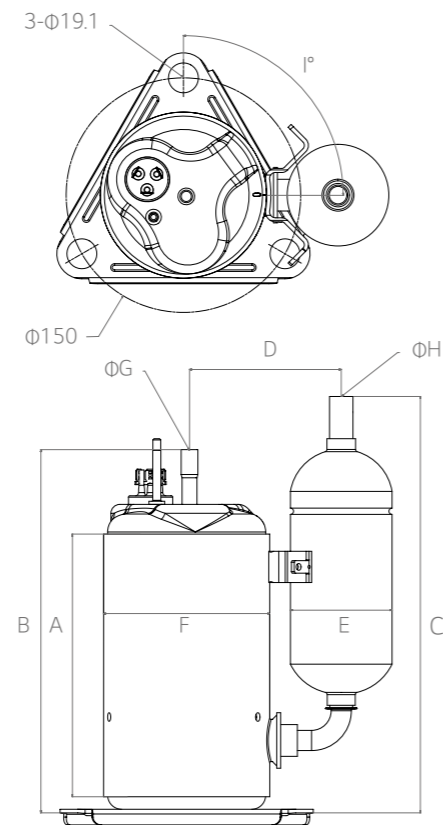
Test condition	Condenser temperature	Evaporation temperature	Suction temperature	Sub cool
ASHRAE	54.4°C	7.2°C	18.3°C	8.3°C

Test condition @ 60Hz	Range (rps)	Dimension (mm)							
		A	B	C	D	E	F	G	H
ASHRAE	15-120	187.0	235.0	253.0	82.5	65.8	96.3	8.1	9.7
ASHRAE	15-120	187.0	235.0	253.0	82.5	65.8	96.3	8.1	9.7
ASHRAE	10-120	187.0	239.2	271.6	76.0	66.8	96.3	8.1	9.7
ASHRAE	10-120	206.4	257.0	276.8	76.0	66.8	96.3	8.1	12.8
ASHRAE	10-120	198.4	250.0	249.9	82.5	80.0	96.3	8.1	12.8
ASHRAE	10-120	206.4	260.0	285.0	76.0	66.8	96.3	8.1	12.8
ASHRAE	10-120	198.4	250.0	249.9	82.5	80.0	96.3	8.1	12.8
ASHRAE	10-120	206.4	258.0	249.9	82.5	80.0	96.3	8.1	12.8
ASHRAE	10-120		260.0	285.0	76.0	66.8	96.3	8.1	12.8
ASHRAE	10-120	168.0	232.6	247.1	99.6	75.0	108.2	8.1	12.8
ASHRAE	10-120	202.0	266.3	305.4	101.9	75.0	107.0	8.1	12.8
ASHRAE	10-120	212.0	274.9	303.4	99.6	75.0	108.2	8.1	12.8
ASHRAE	10-120		266.7	304.2	101.9	75.0	107.4	8.1	12.8
ASHRAE	10-120		253.0	253.5	93.9	80.0	107.4	8.1	12.8
ARI	10-120		262.0	260.0	95.0	80.0	107.4	8.1	12.8

### - GSG



### - GA



# Specification

## Variable Speed R410A [2 of 2]

Refrigerant	Type	Series	Model	Magnet	Power	Cooling capacity		Input	EER	COP	
						Btu/hr	Watts	Watts	Btu/W-hr	W/W	
R410A	2 Piston	GST	GST066MA	NdFeB	DC280V	6,900	2,022	639	10.8	3.2	
			GST102MA	NdFeB		11,000	3,223	954	11.5	3.4	
		GAT	GAT134MA	NdFeB	DC380V	13,300	3,897	1,215	10.9	3.2	
			GAT134MC	NdFeB		13,500	3,956	1,220	11.1	3.2	
			GAT156MA	NdFeB		15,752	4,616	1,446	10.9	3.2	
			GAT156MC	NdFeB		15,770	4,621	1,440	11.0	3.2	
			GAT156MA	NdFeB		15,770	4,621	1,440	11.0	3.2	
		GKT	GKT128MF	Ferrite	DC280V	13,600	3,985	1,236	11.0	3.2	
			GKT128MA	NdFeB		13,400	3,927	1,196	11.2	3.3	
			GKT141MA	NdFeB		14,600	4,278	1,300	11.2	3.3	
			GKT141MB	NdFeB		14,600	4,278	1,327	11.0	3.2	
			GKT176MA	NdFeB		DC380V	18,800	5,509	1,649	11.4	3.3
			GKT208MA	NdFeB			22,200	6,505	2,018	11.0	3.2
		GJT	GJT240MA	NdFeB	DC380V	25,300	7,414	2,280	11.1	3.3	
			GJT240MB	NdFeB		25,300	7,414	2,342	10.8	3.2	
			GJT325MA	NdFeB		35,200	10,315	3,114	11.3	3.3	
		GPT	GPT330MA	NdFeB	DC380V	35,200	10,315	3,114	11.3	3.3	
			GPT442MA	NdFeB		47,500	13,919	4,241	11.2	3.3	
GPT442MB	NdFeB		47,500	13,919		4,241	11.2	3.3			

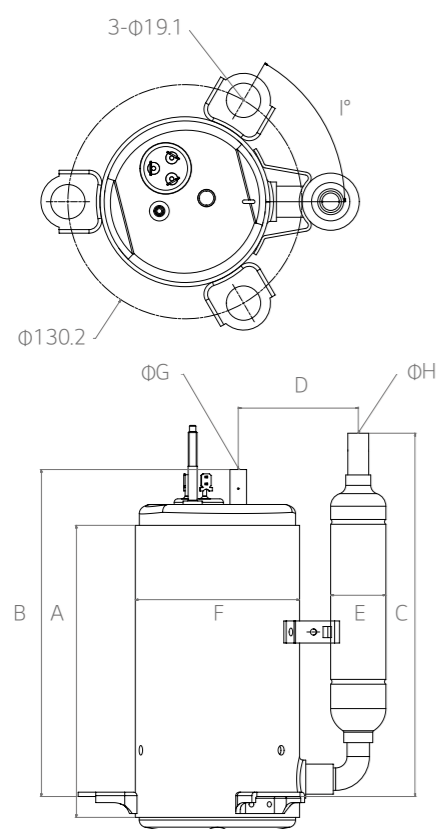
Note 1: Figures in the table are subject to change without prior notice for performance improvement.

Note 2:

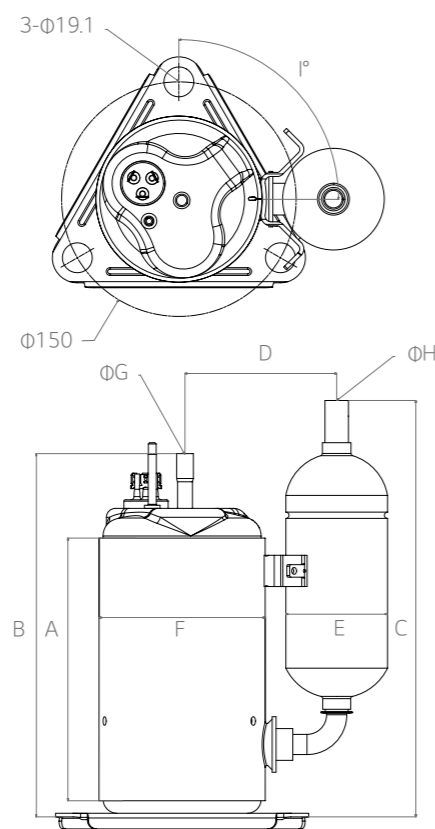
Test condition	Condenser temperature	Evaporation temperature	Suction temperature	Sub cool
ARI	54.4°C	7.2°C	35°C	8.3°C
ASHRAE	54.4°C	7.2°C	18.3°C	8.3°C

Test condition @ 60Hz	Range (rps)	Dimension (mm)							
		A	B	C	D	E	F	G	H
ASHRAE	10-130		220.0	222.3	97.5	65.8	96.3	8.1	9.7
ASHRAE	10-130	194.0	245.5	282.1	87.5	65.8	96.3	8.1	9.7
ARI	10-130	240.0	303.6	316.6	96.1	75.0	108.2	8.1	12.8
ARI	10-130	240.0	292.9	305.9	99.6	75.0	108.2	8.1	12.8
ARI	10-130	240.0	292.9	305.9	99.6	75.0	108.2	8.1	12.8
ASHRAE	10-100	261.7	322.0	331.0	109.6	75.0	118.2	9.7	12.8
ARI	10-100	269.7	330.0	331.3	109.6	75.0	118.2	9.7	12.8
ARI	10-100	264.7	335.7	349.5	118.7	90.0	118.2	9.7	12.8
ARI	10-100	249.7	310.0	338.8	118.7	90.0	118.2	9.7	12.8
ARI	10-100	269.7	320.0	328.8	118.7	90.0	118.2	9.7	12.8
ARI	10-110	238.5	299.5	346.5	109.6	75.0	118.2	9.7	12.8
ARI	10-110		300.0	335.0	118.7	80.0	108.5	9.7	16.0
ARI	10-110	271.1	352.7	324.2	108.0	31.8	127.3	9.7	16.0
ARI	10-110	251.1	332.7	365.7	114.2	75.0	127.3	9.7	16.0
ARI	10-110	276.7	358.3	357.9	123.6	90.0	127.3	9.7	16.0
ARI	15-100	259.6	385.2	412.1	132.0	90.0	145.4	12.8	16.0
ARI	15-100	259.6	363.8	335.5	116.8	31.8	145.4	12.8	19.2
ARI	15-100	259.6	363.8	335.5	116.8	31.8	145.4	12.8	19.2

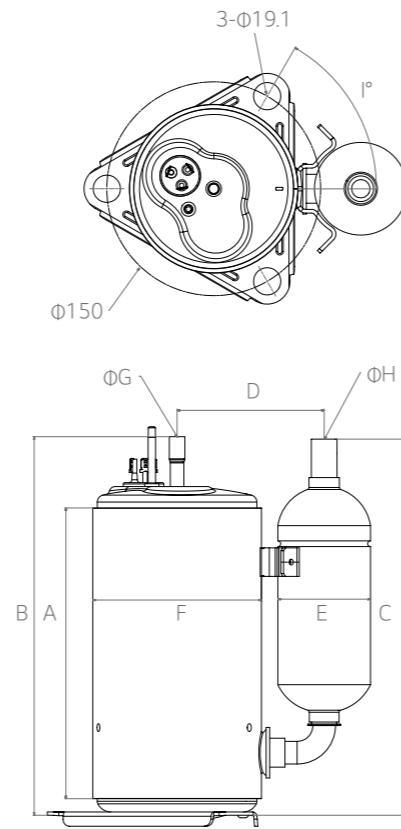
### - GST



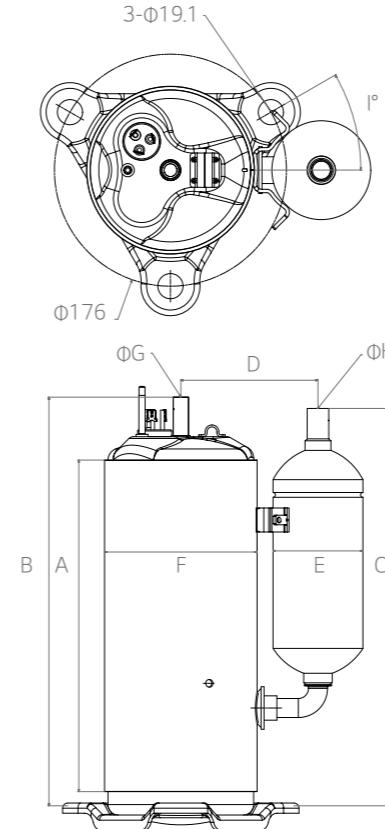
### - GAT



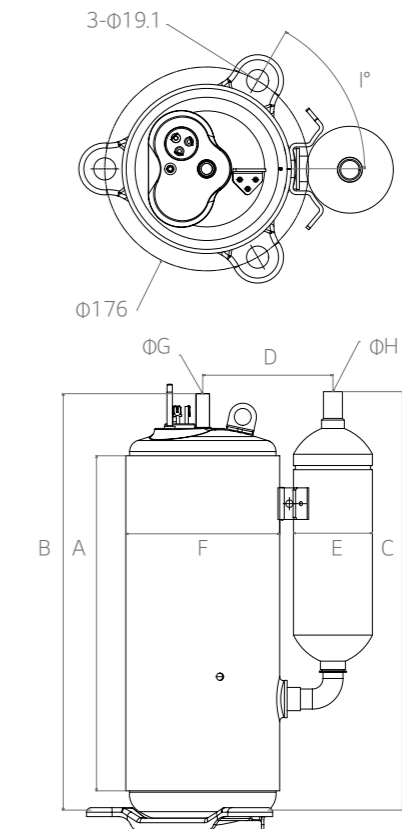
### - GKT



### - GJT



### - GPT



# Specification

## Variable Speed R32 [1 of 2]

Refrigerant	Type	Series	Model	Magnet	Power	Cooling capacity		Input	EER	COP
						Btu/hr	Watts	Watts	Btu/W-hr	W/W
R32	1 Piston	DSG	DSG045MK	NdFeB	DC280V	4,705	1,379	402	11.7	3.4
			DSG066MJ	NdFeB		7,200	2,110	632	11.4	3.3
			DSG075MJ	NdFeB		8,400	2,462	737	11.4	3.3
			DSG089MK	NdFeB		10,000	2,930	893	11.2	3.3
			DSG089MJ	NdFeB		10,000	2,930	880	11.4	3.3
			DSG089MC	NdFeB		10,000	2,930	875	11.4	3.3
			DSG102MK	NdFeB		11,470	3,361	1,024	11.2	3.3
			DSG102MJ	NdFeB		11,470	3,361	1,015	11.3	3.3
			DSG102MC	NdFeB		11,470	3,361	1,010	11.4	3.3
		DA	DA102MF	Ferrite		11,450	3,355	1,032	11.1	3.3
			DA102MJ	NdFeB		11,450	3,355	1,004	11.4	3.3
			DA108MJ	NdFeB		11,800	3,458	1,032	11.5	3.4
			DA140MA	NdFeB		16,170	4,740	1,445	11.2	3.3

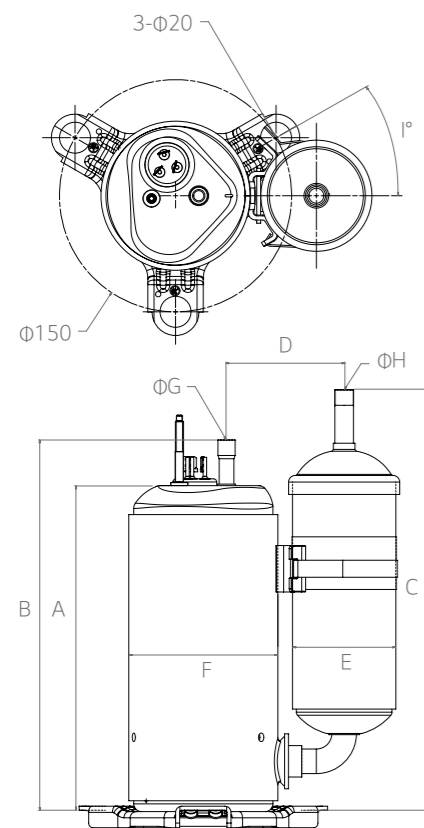
Note1 : Figures in the table are subject to change without prior notice for performance improvement.

Note2 :

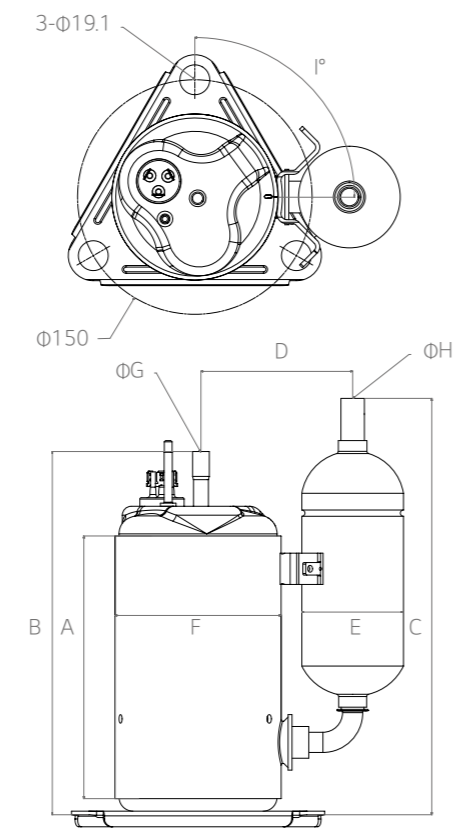
Test condition	Condenser temperature	Evaporation temperature	Suction temperature	Sub cool
ARI	54.4°C	7.2°C	18.3°C	8.3°C
ASHRAE	54.4°C	7.2°C	35°C	8.3°C

Test condition @ 60Hz	Range (rps)	Dimension (mm)							
		A	B	C	D	E	F	G	H
ASHRAE	10-120	187.0	235.0	253.0	82.5	65.8	96.3	8.1	9.7
ASHRAE	10-120	187.0	239.2	271.6	76.0	66.8	96.3	8.1	9.7
ASHRAE	10-120	187.0	239.2	271.6	76.0	66.8	96.3	8.1	9.7
ASHRAE	10-120	198.4	250.0	249.9	82.5	80.0	96.3	8.1	12.8
ASHRAE	10-120	206.4	257.0	276.8	76.0	66.8	96.3	8.1	12.8
ASHRAE	10-120	206.4	260.0	285.0	76.0	66.8	96.3	8.1	12.8
ASHRAE	10-120	198.4	250.0	249.9	82.5	80.0	96.3	8.1	12.8
ASHRAE	10-120	206.4	258.0	249.9	82.5	80.0	96.3	8.1	12.8
ASHRAE	10-120		260.0	285.0	76.0	66.8	96.3	8.1	12.8
ASHRAE	10-120	202.0	266.7	304.2	101.9	75.0	106.2	8.1	12.8
ASHRAE	10-120	202.0	266.7	304.2	101.9	75.0	106.2	8.1	12.8
ASHRAE	10-120		253.0	253.5	93.9	80.0	107.4	8.1	12.8
ARI	10-120		262.0	260.0	95.0	80.0	107.4	8.1	12.8

### · DSG



### · DA





# Specification

## Variable Speed R32 [2 of 2]

Refrigerant	Type	Series	Model	Magnet	Power	Cooling capacity		Input	EER	COP
						Btu/hr	Watts	Watts	Btu/W·hr	W/W
R32	2 Piston	DST	DST066MA	NdFeB	DC280V	7,200	2,110	666	10.8	3.2
			DST102MA	NdFeB		11,400	3,341	1,036	11.0	3.2
		DAT	DAT130MA	NdFeB	DC380V	14,800	4,337	1,345	11.0	3.2
			DAT130MC	NdFeB		14,450	4,234	1,320	10.9	3.2
			DAT150MA	NdFeB		17,400	5,100	1,580	11.0	3.2
			DAT150MC	NdFeB		17,300	5,070	1,585	11.0	3.2
		DKT	DKT141MB	NdFeB	DC280V	15,400	4,513	1,403	11.0	3.2
			DKT176MA	NdFeB		19,500	5,714	1,757	11.0	3.2
			DKT208MA	NdFeB	DC380V	23,100	6,769	2,120	10.9	3.2
			DKT240MA	NdFeB		26,900	7,883	2,480	10.8	3.2
		DJT	DJT240MA	NdFeB	DC380V	26,900	7,883	2,403	11.0	3.3
		DPT	DPT330MA	NdFeB	DC380V	37,300	10,931	3,356	11.1	3.3
			DPT442MA	NdFeB	DC520V	50,500	14,799	4,510	11.2	3.3

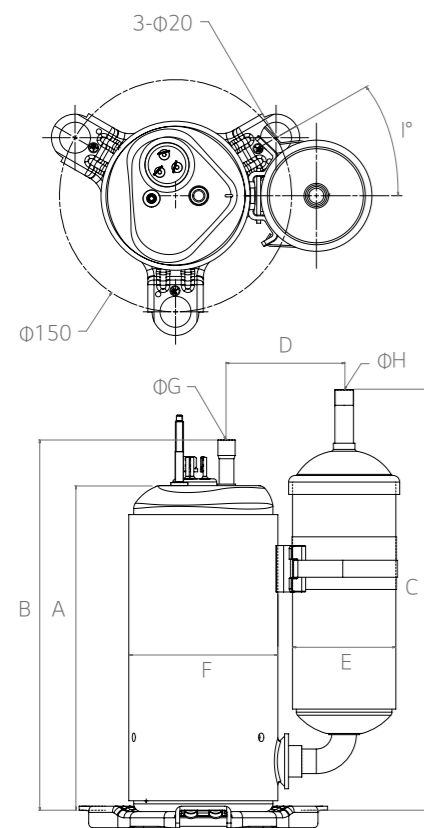
Note1 : Figures in the table are subject to change without prior notice for performance improvement.

Note2 :

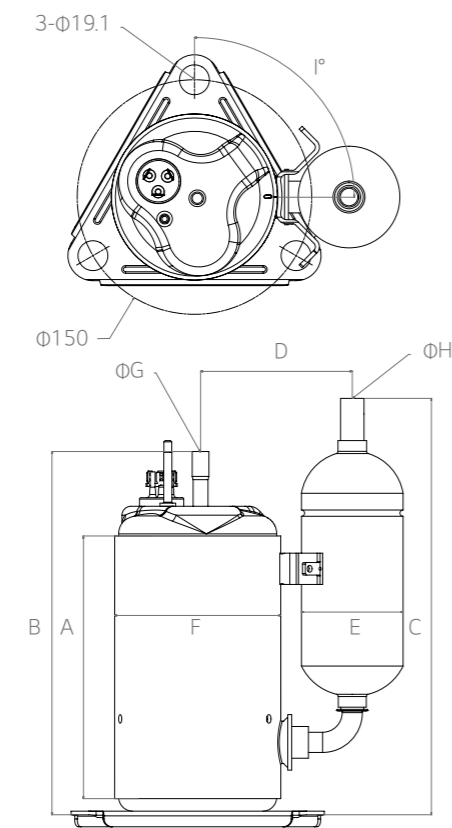
Test condition	Condenser temperature	Evaporation temperature	Suction temperature	Sub cool
ARI	54.4°C	7.2°C	18.3°C	8.3°C
ASHRAE	54.4°C	7.2°C	35°C	8.3°C

Test condition @ 60Hz	Range (rps)	Dimension (mm)							
		A	B	C	D	E	F	G	H
ASHRAE	10-120		220.0	222.3	97.5	65.8	96.3	8.1	9.7
ASHRAE	10-130	194.0	245.5	282.1	87.5	65.8	96.3	8.1	9.7
ARI	10-130		249.0	269.0	96.0	80.0	108.2	8.1	12.8
ARI	10-130	240.0	293.2	306.3	99.6	75.0	108.2	8.1	12.8
ARI	10-130	240.0	381.0	280.0	96.0	80.0	108.2	8.1	12.8
ARI	10-130		292.9	306.3	99.6	75.0	108.2	8.1	12.8
ARI	10-100	249.7	310.0	338.8	118.7	90.0	118.2	9.7	12.8
ARI	10-110	269.7	320.3	337.9	118.7	90.0	118.2	9.7	12.8
ARI	10-120	238.5	331.0	338.9	109.6	75.0	118.2	9.7	16.0
ARI	10-110		300.0	335.0	118.7	80.0	108.5	9.7	16.0
ARI	10-110	271.1	352.7	324.2	108.0	31.8	127.3	9.7	16.0
ARI	10-110	259.6	363.8	433.0	131.5	90.0	145.4	12.8	16.0
ARI	15-100	259.6	363.8	433.0	131.5	90.0	145.4	12.8	16.0

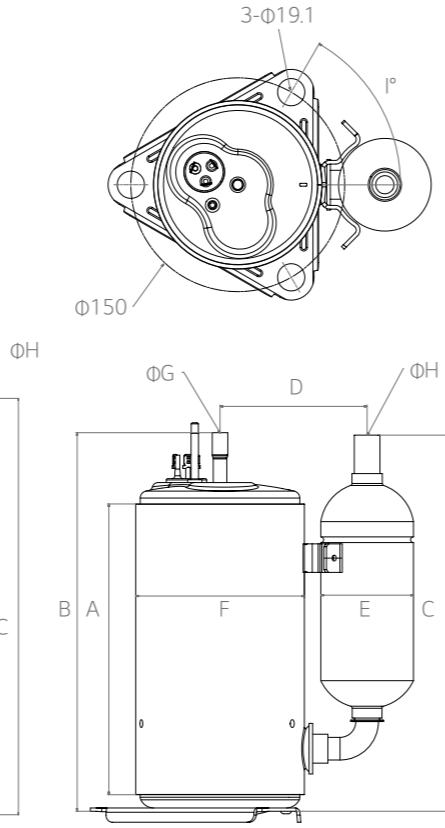
· DST



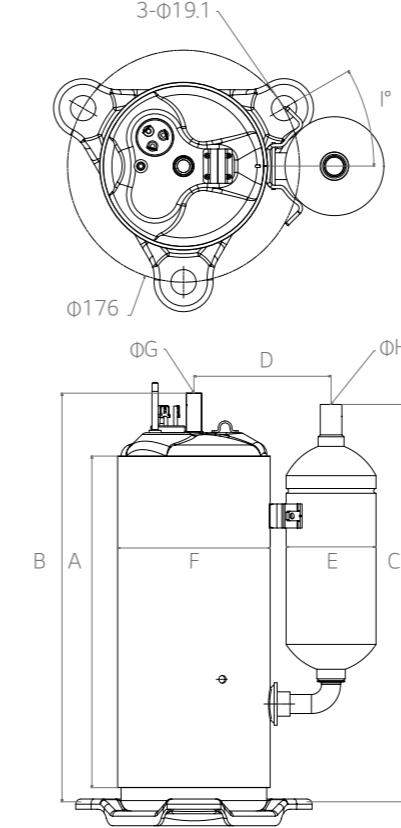
· DAT



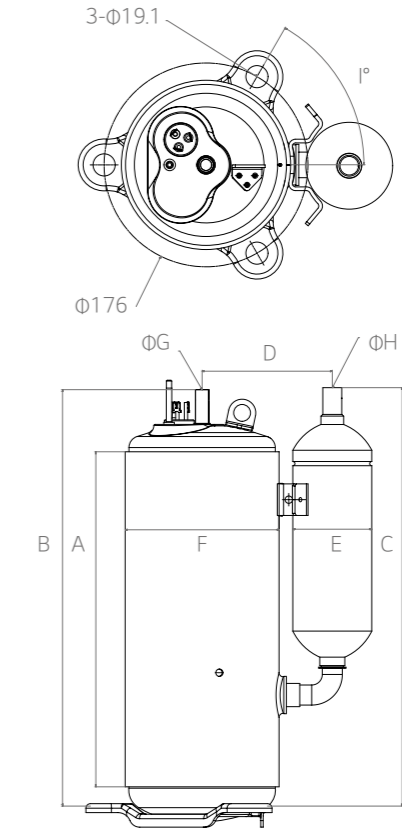
· DKT



· DJT



· DPT



# Specification

## Fixed Speed R410A [1 of 4]

Refrigerant	Type	Frequency	Voltage	Series	Model	Cooling capacity		Input	EER	COP
						Btu/hr	Watts	Watts	Btu/W/hr	W/W
R410A	1 Piston	50Hz	1Φ, 220 / 240V	GAB	GAB040P	3,130	917	340	9.20	2.70
					GAB042P	3,410	999	355	9.60	2.81
					GAB046P	4,520	1,325	455	9.93	2.91
					GAB048P	3,985	1,168	403	9.90	2.90
					GAB072P	5,950	1,744	590	10.08	2.95
				GKN	GKN086P	6,900	2,022	690	10.00	2.93
					GKN090P	7,700	2,256	748	10.30	3.02
					GKN094P	8,050	2,359	805	10.00	2.93
					GKN102P	8,700	2,549	845	10.30	3.02
					GKN120P	9,700	2,842	970	10.00	2.93
					GKN127P	10,900	3,194	1,090	10.00	2.93
					GKN141P	11,350	3,326	1,146	9.90	2.90
				GJS	GKN151P	12,200	3,575	1,232	9.90	2.90
					GJS134P	10,120	2,966	1,150	8.80	2.58
					GJS208P	16,800	4,923	1,645	10.21	2.99
				GVH	GJS222P	18,800	5,509	1,825	10.30	3.02
					GVH240P	20,720	6,072	1,937	10.70	3.13
					GVH250P	21,389	6,269	2,018	10.60	3.11
					GVH265P	22,900	6,711	2,224	10.30	3.02
					GVH282P	24,430	7,160	2,305	10.60	3.11

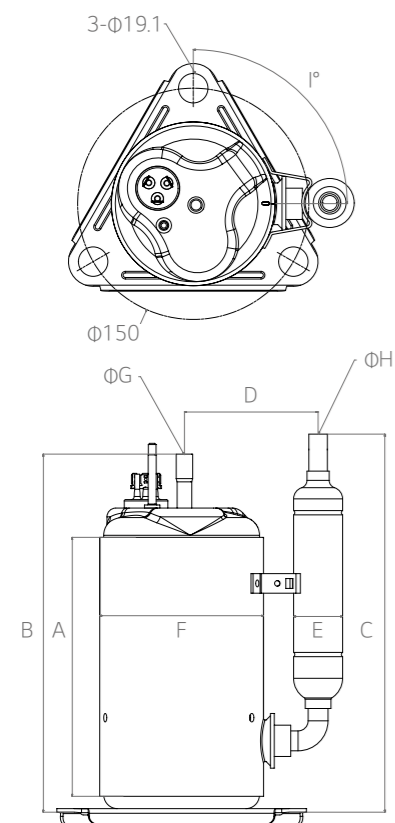
Note1 : Figures in the table are subject to change without prior notice for performance improvement.

Note2 :

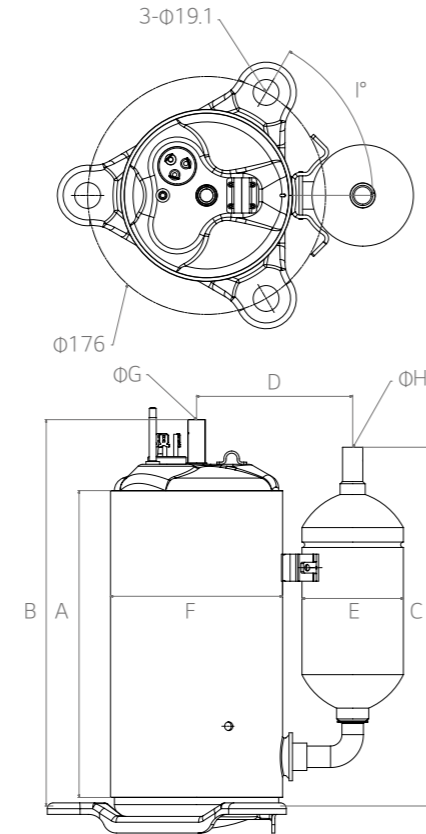
Test condition	Condenser temperature	Evaporation temperature	Suction temperature	Sub cool
ASHRAE	54.4°C	7.2°C	35°C	8.3°C

Test condition	Dimension (mm)							
	A	B	C	D	E	F	G	H
ASHRAE	182.0	244.9	248.9	85.6	50.8	106.2	8.1	9.7
ASHRAE	182.0	244.9	248.9	85.6	50.8	106.2	8.1	9.7
ASHRAE	182.0	235.9	196.9	86.2	31.8	106.2	6.5	9.7
ASHRAE	182.0	244.9	248.9	85.6	50.8	106.2	8.1	9.7
ASHRAE	188.0	250.9	248.9	85.6	50.8	106.2	8.1	9.7
ASHRAE	204.0	274.3	243.6	93.0	50.8	118.2	8.1	9.7
ASHRAE	209.0	259.6	238.9	93.0	50.8	118.2	8.1	9.7
ASHRAE	204.0	272.3	262.6	109.0	75.0	118.2	8.1	12.8
ASHRAE	214.0	274.6	253.9	93.7	65.0	118.2	8.1	9.7
ASHRAE	212.0	272.3	253.6	93.0	50.8	118.2	8.1	9.7
ASHRAE	212.0	273.0	263.9	104.0	65.0	118.2	8.1	9.7
ASHRAE	212.0	272.3	253.6	103.0	65.0	118.2	8.1	12.8
ASHRAE	217.0	277.3	262.6	109.0	75.0	118.2	8.1	12.8
ASHRAE	171.0	213.0	190.5	113.3	75.0	127.3	8.1	9.7
ASHRAE	237.0	298.9	288.2	115.5	75.0	127.3	9.7	12.8
ASHRAE	237.0	297.2	320.0	113.0	75.0	127.3	9.7	12.8
ASHRAE	268.7	341.8	336.7	120.1	75.0	138.5	9.7	16.0
ASHRAE	268.7	341.8	336.7	120.1	75.0	138.5	9.7	16.0
ASHRAE	250.5	323.6	333.7	120.1	75.0	138.5	9.7	16.0
ASHRAE	293.7	366.8	340.2	120.1	90.0	138.5	9.7	16.0

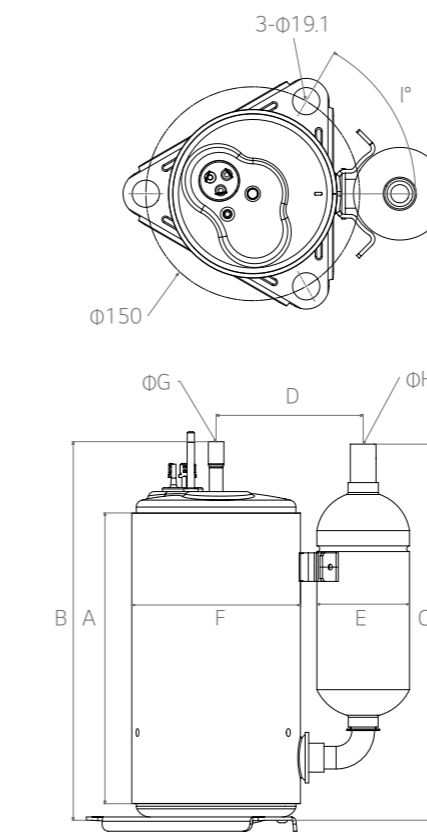
### - GAB



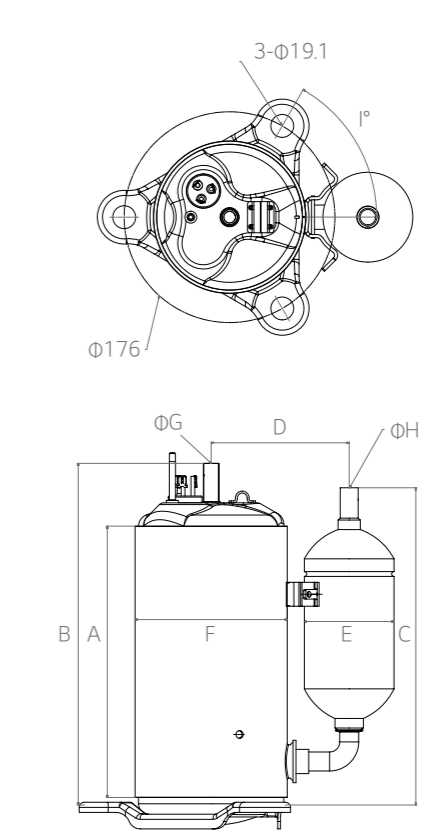
### - GKN



### - GJS



### - GVH



# Specification

## Fixed Speed R410A [2 of 4]

Refrigerant	Type	Frequency	Voltage	Series	Model	Cooling capacity		Input	EER	COP
						Btu/hr	Watts	Watts	Btu/W-hr	W/W
R410A	1 Piston	50Hz	1Φ, 220 / 240V	GVS	GVS265P	22,650	6,638	2,175	10.41	3.05
					GVS295P	24,950	7,312	2,495	10.00	2.93
					GVS325P	27,450	8,045	2,718	10.10	2.96
				GAB	GAB045C	5,280	1,547	406	13.00	3.81
					GAB046C	4,600	1,348	455	10.11	2.96
					GAB050C	5,880	1,723	446	13.18	3.86
		60Hz	1Φ, 115V	GAB	GAB068C	7,950	2,330	605	13.15	3.85
					GAB070C	7,050	2,066	696	10.13	2.97
					GAB072C	7,080	2,075	701	10.10	2.96
				GKN	GAB086C	8,470	2,482	841	10.07	2.95
					GKN083C	8,350	2,447	819	10.20	2.99
					GKN086C	8,600	2,520	843	10.20	2.99
		GKN	GKN090C	9,400	2,755	922	10.20	2.99		
			GKN102C	10,150	2,974	1,015	10.00	2.93		
			GKN106C	10,750	3,150	1,075	10.00	2.93		
		GKN110C	11,100	3,253	1,088	10.20	2.99			
		GKN127C	13,200	3,868	1,294	10.20	2.99			

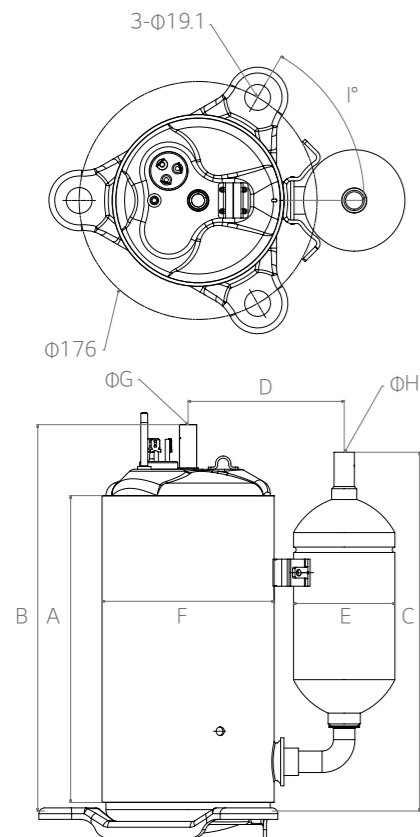
Note 1 : Figures in the table are subject to change without prior notice for performance improvement.

Note 2 :

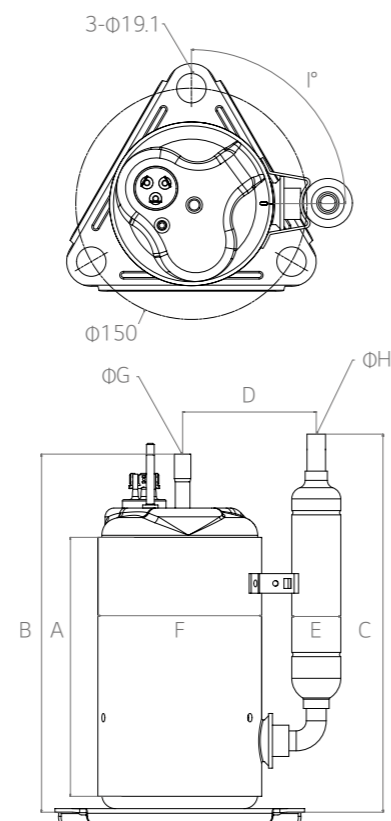
Test condition	Condenser temperature	Evaporation temperature	Suction temperature	Sub cool
ASHRAE	54.4°C	7.2°C	35°C	8.3°C
LW	49°C	10°C	18°C	5°C

Test condition	Dimension (mm)							
	A	B	C	D	E	F	G	H
ASHRAE	276.7	351.7	335.8	120.1	75.0	138.5	9.7	16.0
ASHRAE	266.7	341.7	351.8	128.4	90.0	138.5	9.7	16.0
ASHRAE	276.7	349.8	352.7	128.5	90.0	138.5	9.7	16.0
LW	175.2	229.1	196.9	85.5	31.8	106.2	8.1	9.7
ASHRAE	182.0	235.9	196.9	86.2	31.8	106.2	6.5	9.7
LW	180.7	243.6	196.9	85.5	31.8	106.2	8.1	9.7
LW	192.2	246.1	238.9	85.5	31.8	106.2	8.1	9.7
ASHRAE	191.0	244.9	240.9	86.2	31.8	106.2	6.5	9.7
ASHRAE	191.0	244.9	228.9	85.6	50.8	106.2	8.1	9.7
ASHRAE	192.2	246.1	248.9	85.6	50.8	106.2	8.1	12.8
ASHRAE	212.0	263.3	253.6	104.0	65.0	118.2	8.1	12.8
ASHRAE	212.0	263.3	253.6	104.0	65.0	118.2	8.1	12.8
ASHRAE	212.0	260.3	251.6	93.7	50.8	118.2	8.1	9.7
ASHRAE	212.0	258.6	233.6	93.0	50.8	118.2	8.1	9.7
ASHRAE	227.8	260.3	251.6	93.7	50.8	118.2	8.1	9.7
ASHRAE	212.0	262.3	283.6	109.0	75.0	118.2	8.1	9.7
ASHRAE	212.0	263.3	253.6	93.7	50.8	118.2	8.1	12.8

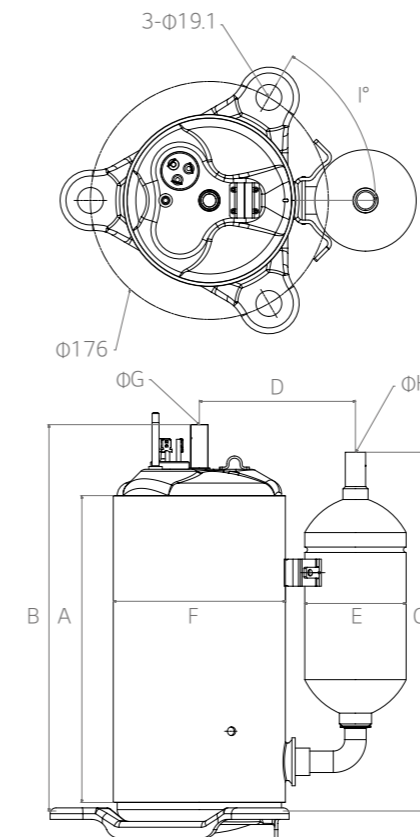
### - GVS



### - GAB



### - GKN



# Specification

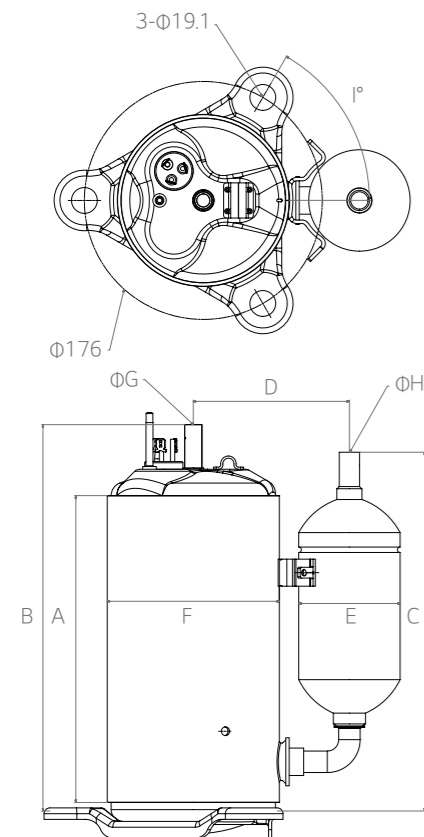
## Fixed Speed R410A [3 of 4]

Refrigerant	Type	Frequency	Voltage	Series	Model	Cooling capacity		Input	EER	COP
						Btu/hr	Watts	Watts	Btu/W/hr	W/W
R410A	1 Piston	60Hz	1Φ, 208-230V	GKN	GKN083K	8,700	2,549	845	10.30	3.02
					GKN090K	9,150	2,681	897	10.20	2.99
					GKN102K	10,150	2,974	995	10.20	2.99
					GKN110K	11,250	3,297	1,092	10.30	3.02
					GKN120K	12,100	3,546	1,222	9.90	2.90
					GKN134K	13,250	3,883	1,338	9.90	2.90
					GKN141K	14,200	4,161	1,434	9.90	2.90
					GKN151K	15,400	4,513	1,556	9.90	2.90
				GJH	GJH151K	14,940	4,378	1,450	10.30	3.02
					GJS151K	15,400	4,513	1,495	10.30	3.02
				GJS	GJS160K	15,800	4,630	1,540	10.26	3.01
					GJS176K	18,200	5,333	1,733	10.50	3.08
					GVH198K	20,100	5,891	1,900	10.58	3.10
				GVH	GVH240K	24,850	7,283	2,368	10.50	3.08
					GVH250K	25,887	7,587	2,459	10.53	3.09
					GVS208K	20,450	5,994	2,045	10.00	2.93
				GVS	GVS198K	20,500	6,008	1,970	10.40	3.05
					GVS215K	22,300	6,536	2,180	10.23	3.00
					GVS240K	23,750	6,961	2,318	10.25	3.00
					GVS265K	27,750	8,133	2,670	10.40	3.05
GVS280K	28,700	8,411	2,870		10.00	2.93				

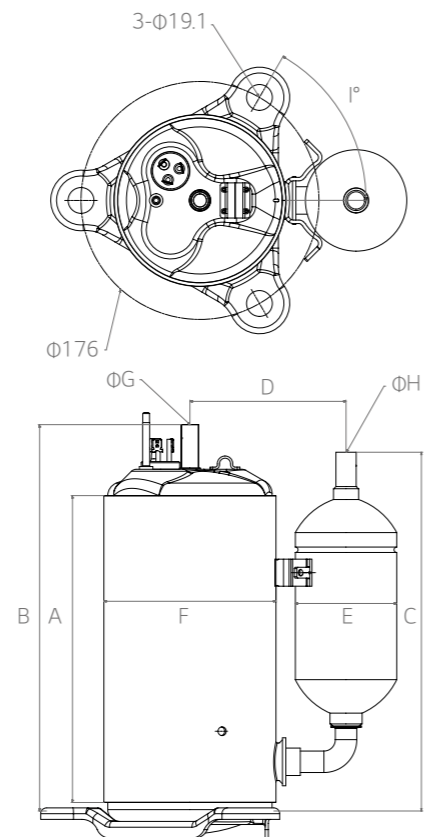
Note 1: Figures in the table are subject to change without prior notice for performance improvement.

Test condition	Condenser temperature	Evaporation temperature	Suction temperature	Sub cool
ASHRAE	54.4°C	7.2°C	35°C	8.3°C

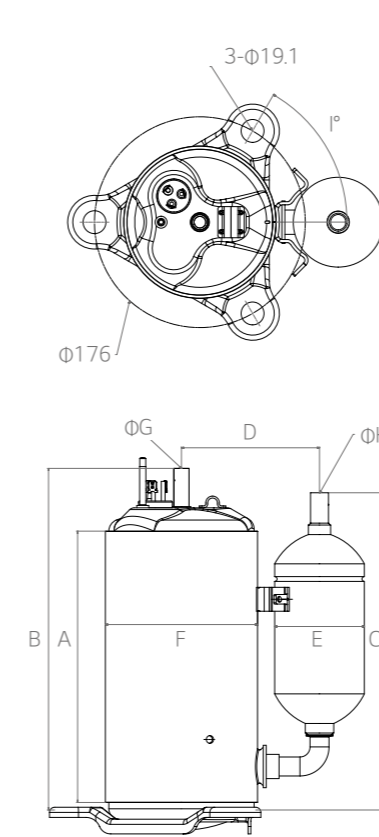
### - GKN



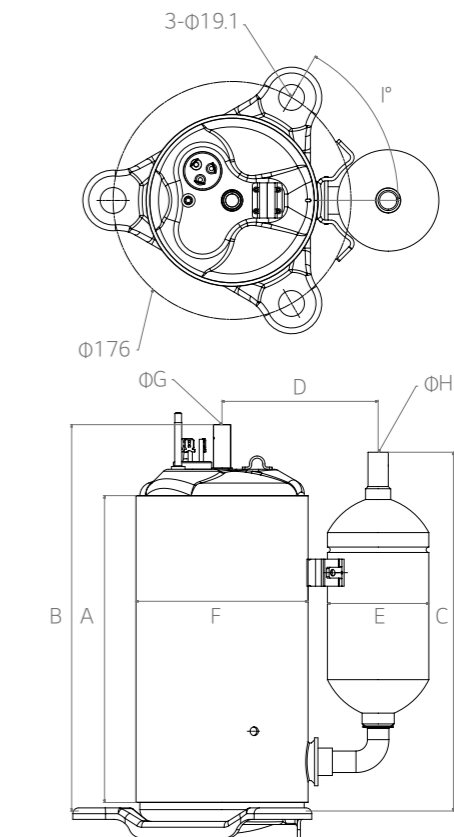
### - GJS



### - GVH



### - GVS



Test condition	Dimension (mm)							
	A	B	C	D	E	F	G	H
ASHRAE	209.0	259.3	251.6	103.0	65.0	118.2	9.7	12.8
ASHRAE	207.0	267.6	258.9	93.7	50.8	118.2	8.1	9.7
ASHRAE	204.2	255.3	253.6	104.0	65.0	118.2	8.1	12.8
ASHRAE	207.0	260.3	251.6	104.0	65.0	118.2	8.1	9.7
ASHRAE	212.0	263.3	262.6	109.6	75.0	118.2	8.1	12.8
ASHRAE	212.0	263.3	262.6	109.6	75.0	118.2	8.1	12.8
ASHRAE	212.0	271.0	270.4	109.6	75.0	118.2	8.1	12.8
ASHRAE	217.0	278.3	262.6	109.6	75.0	118.2	8.1	12.8
ASHRAE	242.0	301.6	334.2	115.5	75.0	127.3	9.7	16.0
ASHRAE	227.0	284.8	264.4	115.5	75.0	127.3	9.7	12.8
ASHRAE	242.0	303.1	308.2	113.8	75.0	127.3	9.7	12.8
ASHRAE	227.0	284.8	264.8	115.5	75.0	127.3	9.7	12.8
ASHRAE	268.7	341.8	316.7	120.1	75.0	138.5	9.7	12.8
ASHRAE	273.7	346.8	316.7	120.1	75.0	138.5	9.7	16.0
ASHRAE	273.7	346.8	316.7	120.1	75.0	138.5	9.7	16.0
ASHRAE	271.7	344.8	336.7	118.5	75.0	138.5	9.7	16.0
ASHRAE	271.7	344.8	303.7	120.1	75.0	138.5	9.7	16.0
ASHRAE	266.7	341.7	315.8	128.4	90.0	138.5	9.7	16.0
ASHRAE	271.7	344.8	336.7	118.5	75.0	138.5	9.7	16.0
ASHRAE	271.7	346.7	351.8	128.4	90.0	138.5	9.7	16.0
ASHRAE	266.7	339.8	336.7	120.1	75.0	138.5	9.7	16.0

# Specification

## Fixed Speed R410A [4 of 4]

Refrigerant	Type	Frequency	Voltage	Series	Model	Cooling capacity		Input	EER	COP
						Btu/hr	Watts	Watts	Btu/W/hr	W/W
R410A	1 Piston	60Hz	1Φ, 265V	GKN	GKN083Q	8,350	2,447	811	10.30	3.02
					GKN102Q	10,150	2,974	1,025	9.90	2.90
					GKN110Q	11,250	3,297	1,092	10.30	3.02
					GKN120Q	12,100	3,546	1,222	9.90	2.90
					GKN141Q	14,100	4,132	1,410	10.00	2.93
					GKN151Q	15,200	4,454	1,505	10.10	2.96
					GJS151Q	15,400	4,513	1,495	10.30	3.02
	2 Piston	50Hz	1Φ, 220-240V 3Φ, 380 / 420V	GPT	GPT330P	28,300	8,293	2,748	10.30	3.02
					GPT407P	34,800	10,198	3,551	9.80	2.87
					GPT330Y	27,200	7,971	2,775	9.80	2.87
					GPT290K	29,300	8,586	3,117	9.40	2.75
					GPT330K	33,750	9,892	3,515	9.60	2.81
					GPT342K	35,770	10,482	3,614	9.90	2.90
					2 Piston	60Hz	1Φ, 208-230V	GPT	GPT330P	28,300
GPT407P	34,800	10,198	3,551	9.80					2.87	
GPT330Y	27,200	7,971	2,775	9.80					2.87	
GPT290K	29,300	8,586	3,117	9.40					2.75	
GPT330K	33,750	9,892	3,515	9.60					2.81	
GPT342K	35,770	10,482	3,614	9.90					2.90	

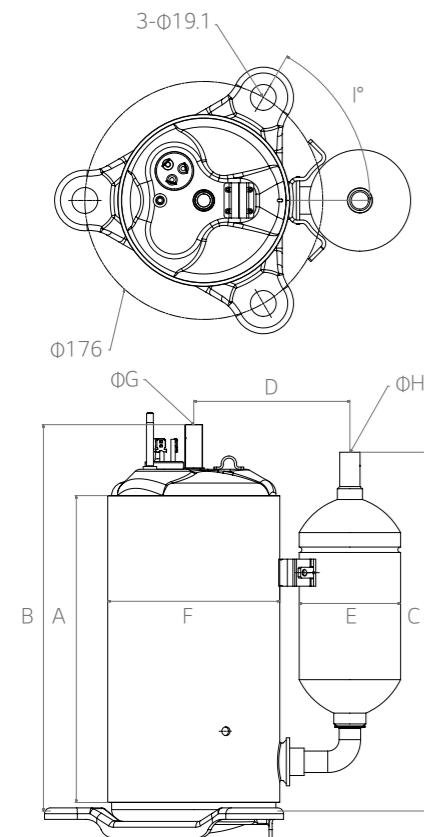
Note1 : Figures in the table are subject to change without prior notice for performance improvement.

Note2 :

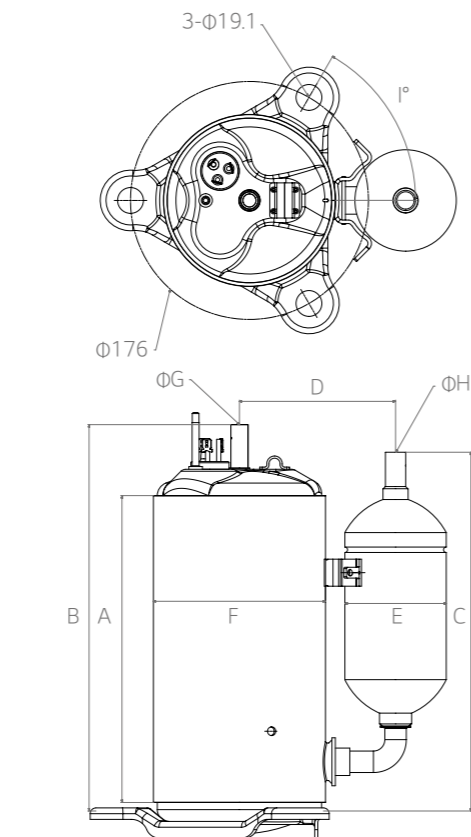
Test condition	Condenser temperature	Evaporation temperature	Suction temperature	Sub cool
ASHRAE	54.4°C	7.2°C	35°C	8.3°C

Test condition	Dimension (mm)							
	A	B	C	D	E	F	G	H
ASHRAE	209.0	259.3	251.6	103.0	65.0	118.2	8.1	12.8
ASHRAE	204.0	255.3	253.6	104.0	65.0	118.2	8.1	12.8
ASHRAE	209.0	259.3	251.6	103.0	65.0	118.2	8.1	12.8
ASHRAE	212.0	262.3	262.6	109.0	75.0	118.2	8.1	12.8
ASHRAE	212.0	262.3	262.6	109.0	75.0	118.2	8.1	12.8
ASHRAE	212.0	272.3	262.6	109.0	75.0	118.2	8.1	12.8
ASHRAE	227.0	287.0	266.0	113.0	75.0	127.3	9.7	12.8
ASHRAE	227.0	287.0	266.0	109.0	75.0	127.3	9.7	12.8
ASHRAE	281.9	388.2	414.6	132.0	90.0	145.4	9.7	16.0
ASHRAE	309.3	387.0	414.0	132.0	90.0	145.4	9.7	16.0
ASHRAE	318.3	396.0	414.0	132.0	90.0	145.4	9.7	16.0
ASHRAE	270.9	376.2	414.1	132.0	90.0	145.4	9.7	16.0
ASHRAE	290.9	395.0	397.0	124.0	75.0	146.2	12.8	16.0
ASHRAE	281.9	389.0	415.4	132.0	90.0	146.2	9.7	16.0

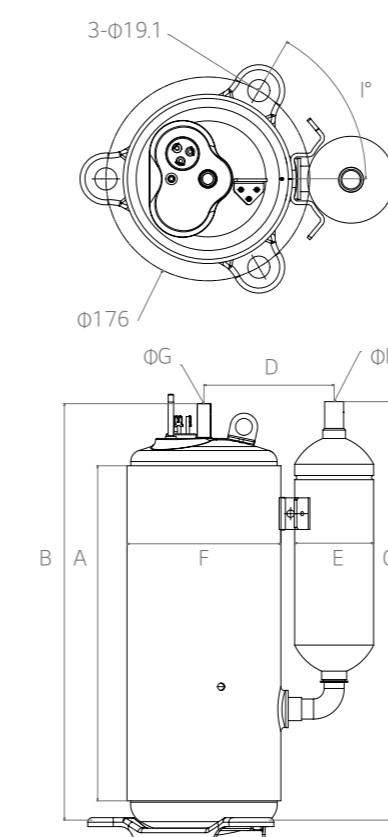
### · GKN



### · GJS



### · GPT



# Specification

## Fixed Speed R32 [1 of 2]

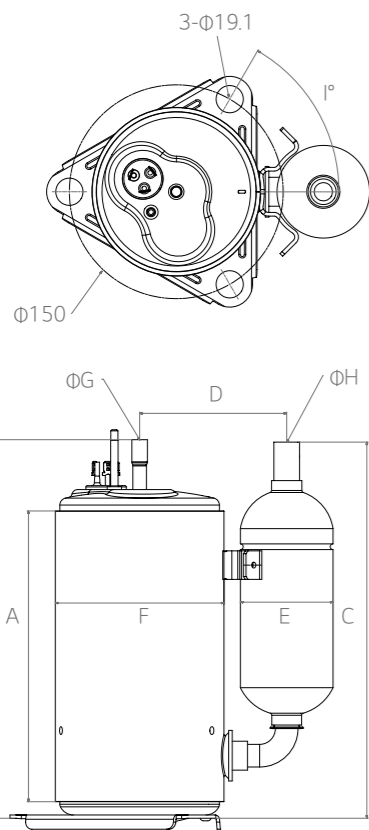
Refrigerant	Type	Frequency	Voltage	Series	Model	Cooling capacity		Input	EER	COP
						Btu/hr	Watts	Watts	Btu/W/hr	W/W
R32	1 Piston	50Hz	1Φ, 220 / 240V	DKN	DKN090P	7,800	2,286	788	9.90	2.90
					DKN094P	8,000	2,344	800	10.00	2.93
					DKN102P	8,670	2,541	867	10.00	2.93
					DKN110P	9,350	2,740	950	9.80	2.87
					DKN118P	10,250	3,004	1,030	9.95	2.92
					DKN120P	10,442	3,036	1,028	10.16	2.98
					DKN127P	10,700	3,136	1,150	9.30	2.73
					DKN141P	12,100	3,546	1,290	9.40	2.75
				DJS	DJS165P	14,000	4,103	1,451	9.65	2.83
					DJS189P	15,700	4,601	1,600	9.80	2.88
					DJS230P	19,350	5,670	1,995	9.70	2.84
				DVH	DVH176P	15,200	4,454	1,520	10.00	2.93
					DVH225P	26,524	7,774	2,094	12.67	3.71
					DVH240P	20,850	6,111	2,060	10.10	2.97
				DVS	DVS295P	25,500	7,473	2,630	9.70	2.84
					DVS325P	28,000	8,205	2,995	9.35	2.74

Note1 : Figures in the table are subject to change without prior notice for performance improvement.

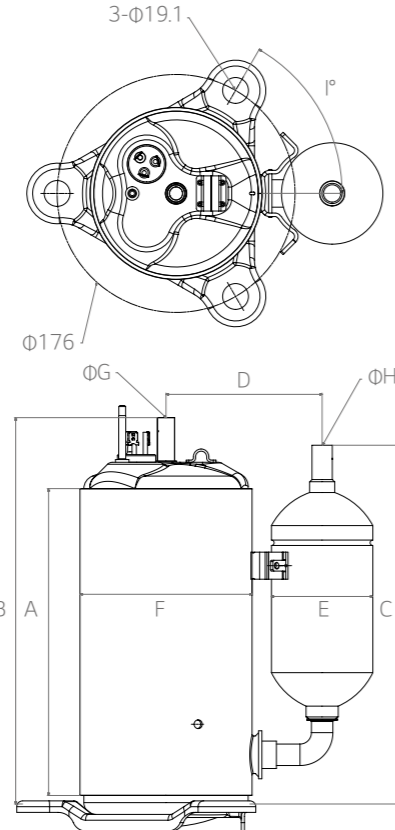
Test condition	Condenser temperature	Evaporation temperature	Suction temperature	Sub cool
ARI	54.4°C	7.2°C	18.3°C	8.3°C

Test condition	Dimension (mm)							
	A	B	C	D	E	F	G	H
ARI	214.0	274.3	263.6	103.0	65.0	118.5	8.0	9.7
ARI	223.2	274.8	248.6	103.0	65.0	118.5	8.0	12.8
ARI	223.2	274.8	248.6	103.0	65.0	118.5	8.0	12.8
ARI	223.2	274.8	248.6	103.0	65.0	118.5	8.0	12.8
ARI	223.2	274.8	248.6	103.0	65.0	118.5	8.0	12.8
ARI	217.0	284.3	263.6	104.0	65.0	118.5	8.0	12.8
ARI	217.0	268.6	254.9	103.0	65.0	118.5	8.0	12.8
ARI	217.0	268.6	254.9	103.0	65.0	118.5	8.0	12.8
ARI	242.0	301.6	288.2	110.0	65.0	127.3	9.7	12.8
ARI	242.0	301.6	286.2	115.0	75.0	127.3	9.7	12.8
ARI	242.0	308.0	326.3	115.0	75.0	127.2	9.7	12.8
ARI	248.5	324.8	313.3	118.5	75.0	138.5	9.7	12.8
ARI	268.7	341.8	316.7	120.1	75.0	138.5	9.7	12.8
ARI	268.7	341.8	336.7	120.1	75.0	138.5	9.7	16.0
ARI	266.7	339.8	336.7	120.1	75.0	138.5	9.7	16.0
ARI	276.7	349.8	336.7	120.0	75.0	138.5	9.7	16.0

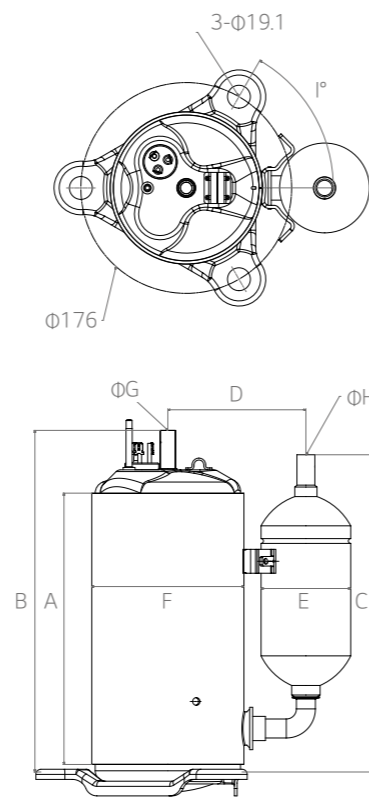
### - DKN



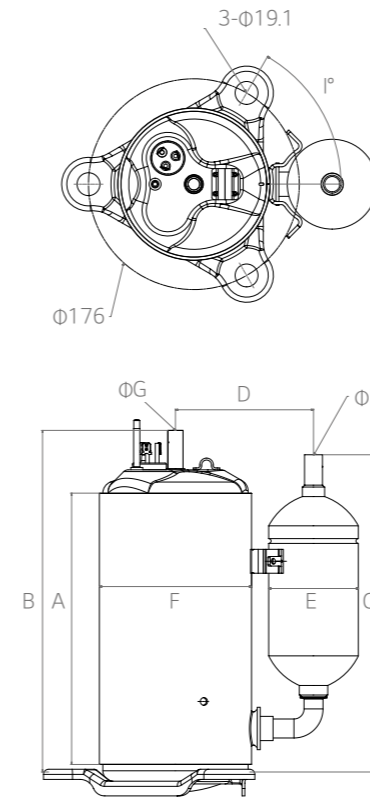
### - DJS



### - DVH



### - DVS



# Specification

## Fixed Speed R32 [2 of 2]

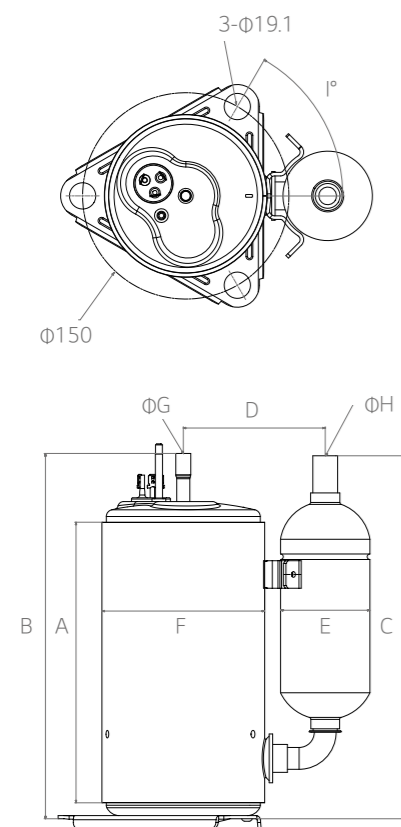
Refrigerant	Type	Frequency	Voltage	Series	Model	Cooling capacity		Input	EER	COP
						Btu/hr	Watts	Watts	Btu/W/hr	W/W
R32	1 Piston	60Hz	1Φ, 115V	DAB	DAB062C	7,439	2,180	588	12.65	3.71
					DAB065C	7,380	2,163	620	11.90	3.49
					DAB080C	9,238	2,708	764	12.09	3.54
				DKN	DKN102C	11,800	3,458	968	12.19	3.57
					DKN120C	13,980	4,097	1,187	11.78	3.45
					DAB080K	9,300	2,725	780	11.92	3.49
			1Φ, 208-230V	DKN	DKN083K	8,700	2,549	888	9.80	2.87
					DKN094K	9,853	2,888	995	9.90	2.90
					DKN102K	12,000	3,516	980	12.24	3.59
				DJS	DKN118K	12,300	3,604	1,255	9.80	2.87
					DKN120K	12,508	3,666	1,263	9.90	2.90
					DJS160K	16,950	4,967	1,713	9.90	2.90
			DVH	DVH151K	17,920	5,252	1,400	12.80	3.75	
				DVH189K	19,900	5,832	1,955	10.20	2.98	
				DVH218K	27,050	7,928	2,041	13.25	3.88	
			DVH225K	27,900	8,177	2,098	13.30	3.90		

Note 1 : Figures in the table are subject to change without prior notice for performance improvement.

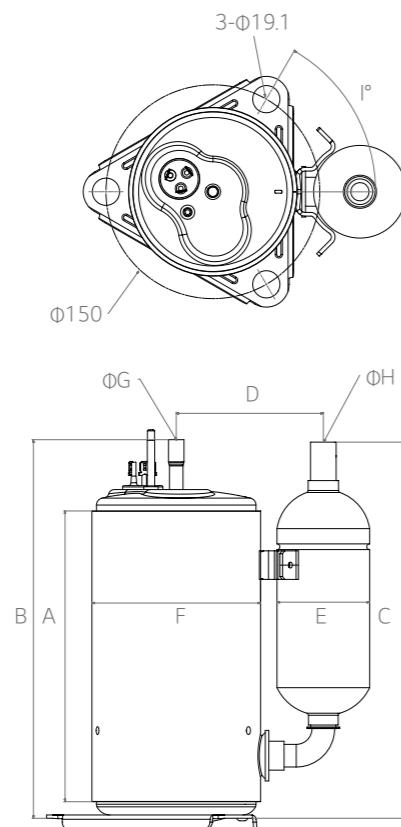
Test condition	Condenser temperature	Evaporation temperature	Suction temperature	Sub cool
ASHRAE	54.4°C	7.2°C	18.3°C	8.3°C
LW	49°C	10°C	18°C	5°C
ARI	54.4°C	7.2°C	18.3°C	8.3°C

Test condition	Dimension (mm)							
	A	B	C	D	E	F	G	H
LW	192.2	246.1	238.9	85.5	31.8	106.2	8.0	9.7
ASHRAE	192.2	246.1	238.9	85.5	31.8	106.2	8.0	9.7
ASHRAE	192.2	246.1	208.9	85.6	50.8	106.2	8.0	12.8
LW	212.0	273.0	259.3	93.0	50.8	117.7	8.0	12.8
LW	212.0	263.6	248.6	93.0	50.8	117.7	8.0	12.8
LW	192.2	246.4	209.2	85.6	50.8	106.2	8.0	12.8
ARI	213.2	264.8	248.6	93.0	50.8	117.7	8.0	12.8
ARI	213.2	264.8	248.6	93.0	50.8	117.7	8.0	12.8
LW	227.8	280.7	258.9	93.0	50.8	117.7	8.0	12.8
ARI	213.2	264.8	248.6	93.0	50.8	117.7	8.0	12.8
ARI	217.0	284.3	263.6	104.0	65.0	118.5	8.0	12.8
ARI	242.0	303.1	308.2	113.8	75.0	127.3	9.7	12.8
LW	260.7	330.8	327.2	119.4	75.0	138.5	9.7	16.0
ARI	260.7	330.8	327.2	119.4	75.0	138.5	9.7	16.0
LW	265.7	335.8	332.2	119.4	75.0	138.5	9.7	16.0
LW	265.7	335.8	332.2	119.4	75.0	138.5	9.7	16.0

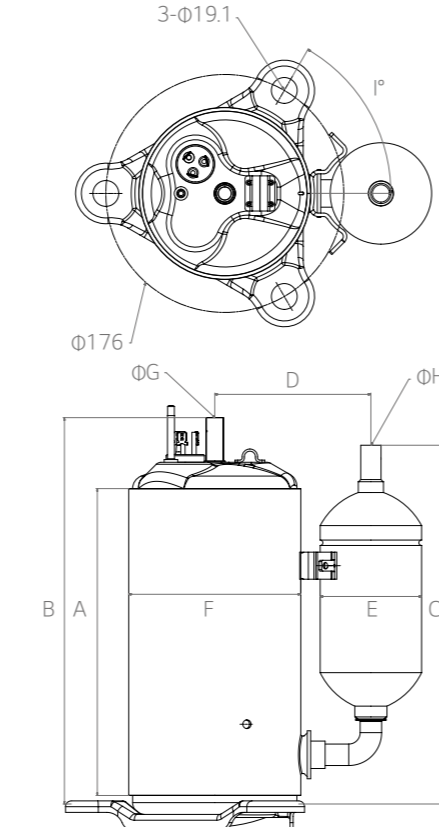
### - DAB



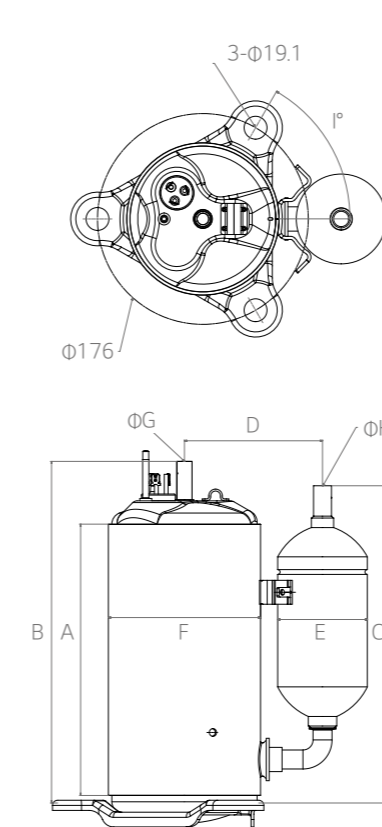
### - DKN



### - DJS



### - DVH



# Specification

## Fixed Speed R22 [1 of 5]

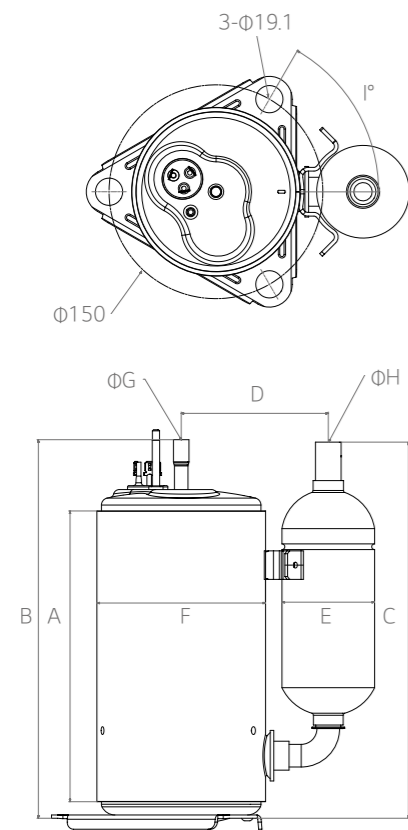
Refrigerant	Type	Frequency	Voltage	Series	Model	Cooling capacity		Input	EER	COP	
						Btu/hr	Watts	Watts	Btu/W-hr	W/W	
R22	1 Piston	50Hz	1Φ, 200 / 220V	QKN	QKN125J	7,000	2,051	660	10.60	3.11	
					QKN156J	9,000	2,637	833	10.80	3.16	
					QKN141H	8,400	2,462	757	11.10	3.25	
					QKN151H	9,020	2,643	813	11.10	3.25	
			1Φ, 220V	QKN	QKN156H	9,350	2,740	827	11.30	3.31	
					QVS	QVS300H	17,600	5,158	1,530	11.50	3.37
					QA	QA089P	5,150	1,509	495	10.40	3.05
						QA102P	5,830	1,708	555	10.50	3.08
			QA114P	6,360		1,864	611	10.41	3.05		
			QA125P	7,100		2,081	670	10.60	3.11		
			1Φ, 220 / 240V	QKN	QKN145P	8,250	2,418	750	11.00	3.22	
					QKN156P	9,250	2,711	811	11.40	3.34	
					QKN164P	9,550	2,799	860	11.10	3.25	
					QJS	QJS196P	11,400	3,341	1,040	10.96	3.21
				QJS208P	11,850	3,473	1,040	11.39	3.34		
				QJS222P	12,950	3,795	1,136	11.40	3.34		

Note 1: Figures in the table are subject to change without prior notice for performance improvement.

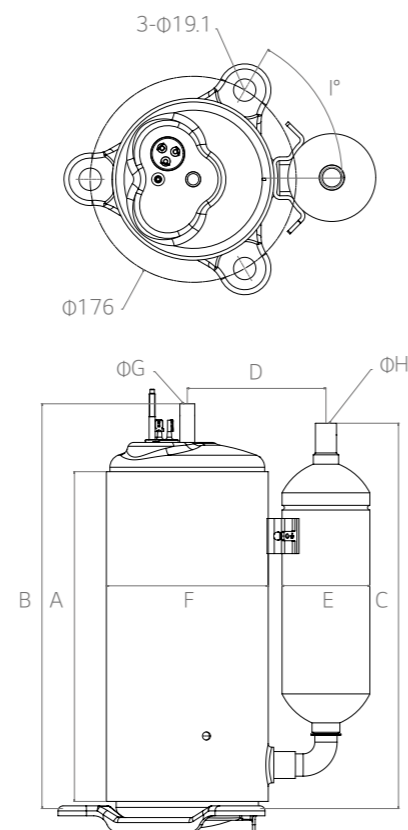
Test condition	Condenser temperature	Evaporation temperature	Suction temperature	Sub cool
ASHRAE	54.4°C	7.2°C	35°C	8.3°C

Test condition	Dimension (mm)							
	A	B	C	D	E	F	G	H
ASHRAE	204.0	274.3	243.6	93.0	50.8	118.2	8.0	9.7
ASHRAE	204.0	275.0	255.9	93.7	50.8	118.2	8.0	12.8
ASHRAE	215.0	273.7	295.0	114.0	75.0	118.2	8.0	12.8
ASHRAE	215.0	276.7	295.0	114.0	75.0	118.2	8.0	12.8
ASHRAE	212.0	273.0	253.6	114.0	75.0	118.2	8.0	12.8
ASHRAE	271.7	344.8	336.7	120.1	75.0	132.1	9.7	16.0
ASHRAE	202.0	260.0	227.8	86.2	31.8	106.2	8.0	9.7
ASHRAE	202.0	264.9	264.0	89.0	50.8	106.2	6.5	9.7
ASHRAE	202.0	261.7	245.9	84.0	31.8	106.2	6.5	9.7
ASHRAE	198.8	261.7	236.0	89.0	50.8	106.2	8.0	9.7
ASHRAE	212.0	264.3	253.6	93.0	50.8 / 65	118.2	8.0	9.7 / 12.8
ASHRAE	207.0	273.2	239.5	93.7	50.8	118.2	6.5	9.7
ASHRAE	212.0	273.3	283.6	109.6	75.0	118.2	8.0	12.8
ASHRAE	237.0	297.8	287.4	114.0	75.0	127.3	9.7	12.8
ASHRAE	242.0	301.6	286.2	115.5	75.0	127.3	9.7	12.8
ASHRAE	242.0	302.6	257.2	108.0	65.0	127.3	9.7	12.8

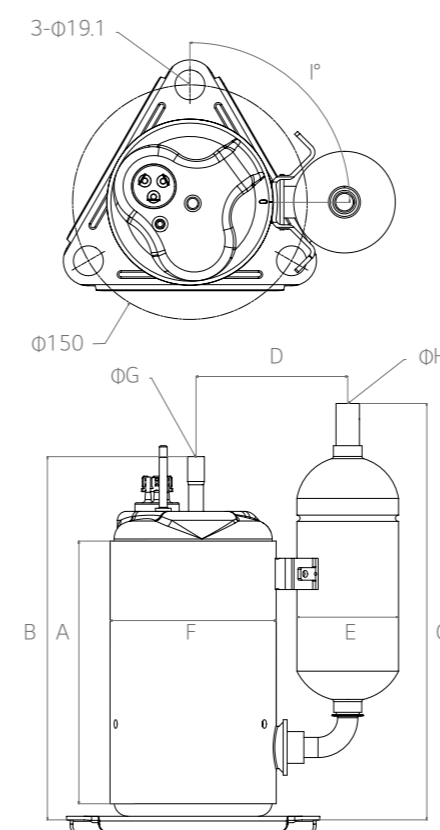
### · QKN



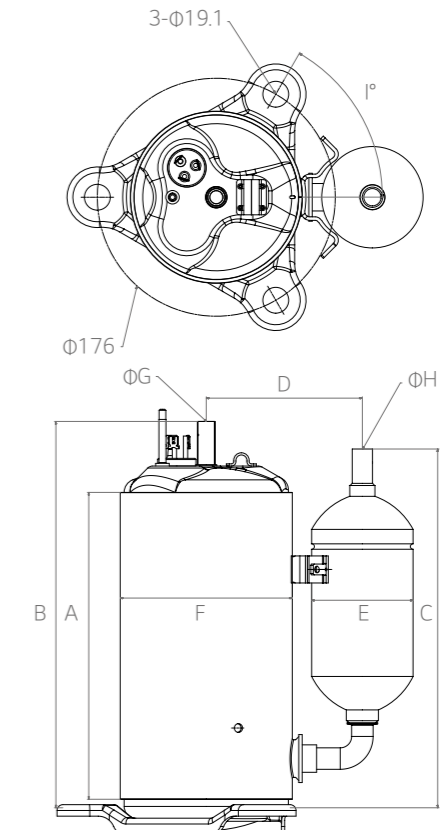
### · QVS



### · QA



### · QJS





# Specification

## Fixed Speed R22 [2 of 5]

Refrigerant	Type	Frequency	Voltage	Series	Model	Cooling capacity		Input	EER	COP		
						Btu/hr	Watts	Watts	Btu/W/hr	W/W		
R22	1 Piston	50Hz	1 $\phi$ , 220 / 240V	QJH	QJH190P	11,100	3,253	977	11.36	3.33		
					QJH215P	12,450	3,649	1,112	11.20	3.28		
				QVS	QVS286P	17,150	5,026	1,491	11.50	3.37		
					QVS295P	17,600	5,158	1,530	11.50	3.37		
					QVS308P	18,400	5,392	1,607	11.45	3.36		
					QVS325P	19,300	5,656	1,770	10.90	3.20		
					QVS362P	21,660	6,347	1,884	11.50	3.37		
					QVS348P	20,550	6,022	1,894	10.85	3.18		
				QP	QP376P	22,500	6,593	2,030	11.08	3.25		
					QP390P	23,500	6,886	2,080	11.30	3.31		
					QP407P	24,400	7,150	2,180	11.19	3.28		
				50Hz	3 $\phi$ , 380 / 420V	QP	QP425P	25,600	7,502	2,335	10.96	3.21
		QP442P	26,200				7,678	2,380	11.01	3.23		
						QP	QP425Y	25,000	7,326	2,380	10.50	3.08

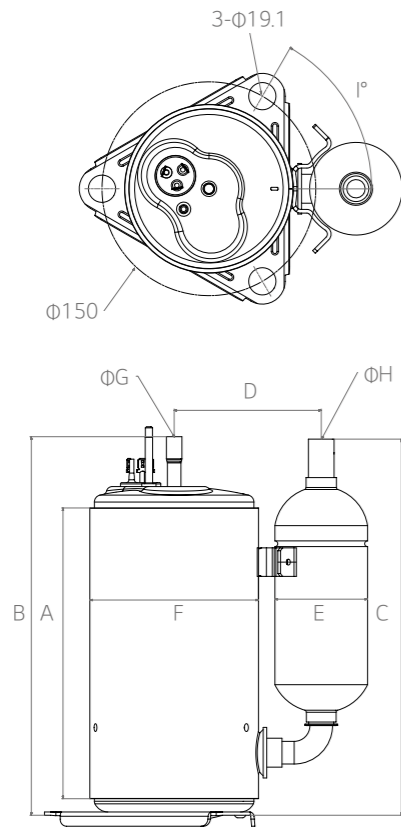
Note1 : Figures in the table are subject to change without prior notice for performance improvement.

Note2 :

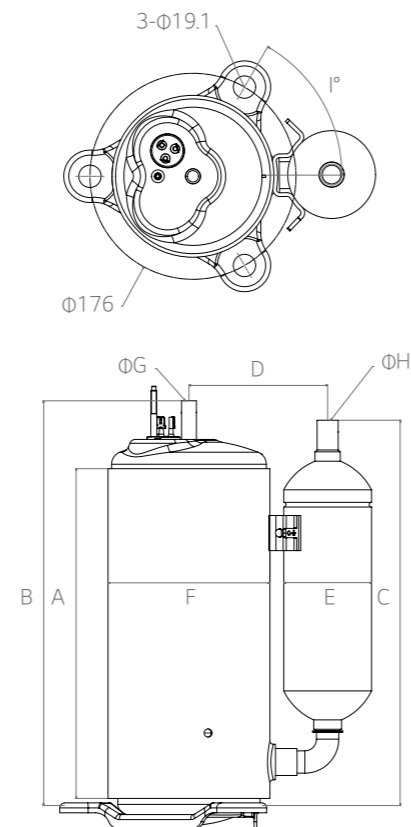
Test condition	Condenser temperature	Evaporation temperature	Suction temperature	Sub cool
ASHRAE	54.4°C	7.2°C	35°C	8.3°C

Test condition	Dimension (mm)							
	A	B	C	D	E	F	G	H
ASHRAE	242.0	301.6	256.2	108.0	65.0	127.3	9.7	12.8
ASHRAE	237.0	296.6	286.2	115.0	75.0	127.3	9.7	12.8
ASHRAE	251.5	324.6	294.7	128.4	90.0	132.1	9.7	16.0
ASHRAE	251.5	324.6	303.7	120.1	75.0	132.1	9.7	16.0
ASHRAE	261.7	334.8	303.7	120.1	75.0	132.1	9.7	16.0
ASHRAE	261.7	335.8	334.4	120.1	75.0	132.1	9.7	16.0
ASHRAE	281.7	356.7	335.8	120.1	75.0	132.1	9.7	16.0
ASHRAE	271.7	344.8	336.7	120.1	75.0	132.1	9.7	16.0
ASHRAE	250.0	327.3	308.4	123.7	75.0	145.4	9.7	16.0
ASHRAE	250.0	325.0	326.3	123.7	75.0	145.4	9.7	16.0
ASHRAE	250.0	327.3	308.4	123.7	75.0	145.4	9.7	16.0
ASHRAE	250.0	341.5	357.4	132.8	90.0	145.4	9.7	16.0
ASHRAE	250.0	327.3	341.4	123.7	75.0	145.4	9.7	16.0
ASHRAE	275.0	353.0	345.0	123.7	75.0	145.4	9.7	16.0

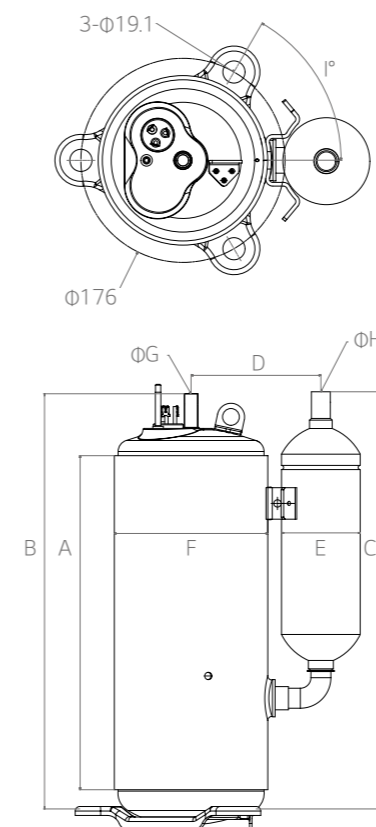
### · QJH



### · QVS



### · QP



# Specification

## Fixed Speed R22 [3 of 5]

Refrigerant	Type	Frequency	Voltage	Series	Model	Cooling capacity		Input	EER	COP	
						Btu/hr	Watts	Watts	Btu/W/hr	W/W	
R22	1 Piston	60Hz	1Φ, 115V	QA-E	QA104C	7,250	2,125	670	10.82	3.17	
					QA110C	7,885	2,311	725	10.88	3.19	
					QA114C	7,950	2,330	736	10.80	3.17	
					QA125C	9,000	2,637	857	10.50	3.08	
				QKN	QKN156C	11,150	3,267	1,014	11.00	3.22	
					QKN164C	11,650	3,414	1,059	11.00	3.22	
			1Φ, 220V	QA-E	QA104G	7,150	2,095	662	10.80	3.17	
					QA114G	7,890	2,312	730	10.81	3.17	
				QA	QA092K	6,400	1,875	615	10.41	3.05	
					QA102K	7,150	2,095	662	10.80	3.17	
					QA104K	7,150	2,095	662	10.80	3.17	
					QA106K	7,350	2,154	662	11.10	3.25	
			1Φ, 208-230V	QA	QA110K	7,600	2,227	705	10.78	3.16	
					QA114K	7,890	2,312	730	10.81	3.17	
					QKN	QKN134K	9,350	2,740	820	11.40	3.34
						QKN141K	9,800	2,872	867	11.30	3.31
				QKN	QKN145K	10,100	2,960	894	11.30	3.31	
					QKN164K	11,500	3,370	1,027	11.20	3.28	

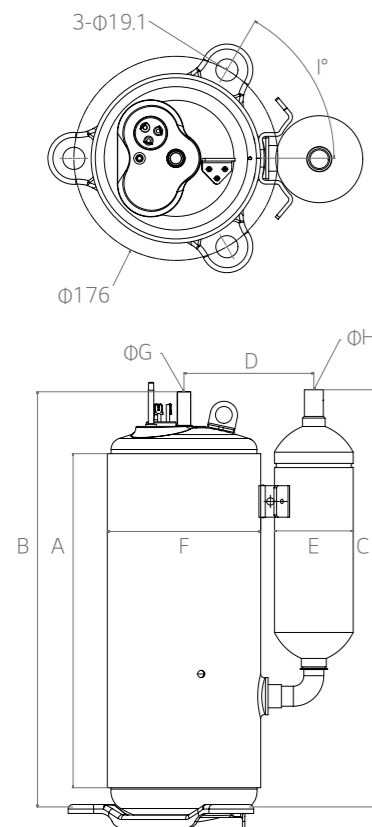
Note1 : Figures in the table are subject to change without prior notice for performance improvement.

Note2 :

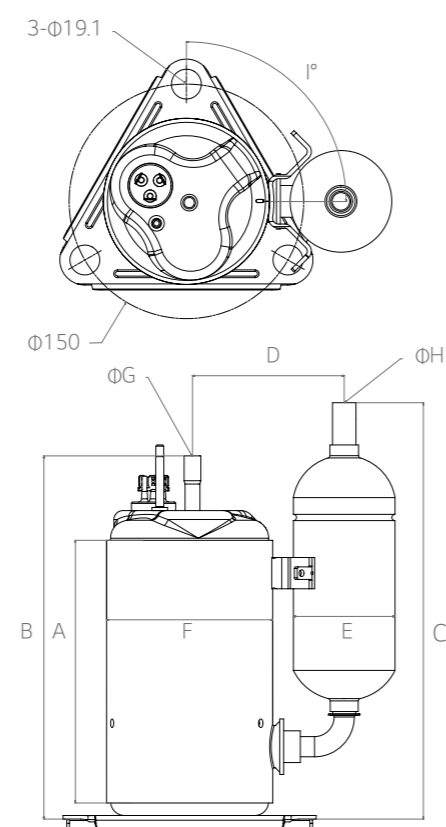
Test condition	Condenser temperature	Evaporation temperature	Suction temperature	Sub cool
ASHRAE	54.4°C	7.2°C	35°C	8.3°C

Test condition	Dimension (mm)							
	A	B	C	D	E	F	G	H
ASHRAE	202.0	261.7	205.9	84.0	31.8	106.2	8.1	9.7
ASHRAE	204.7	262.6	205.9	86.2	41.3	106.2	6.5	9.7
ASHRAE	202.0	261.7	205.9	84.0	31.8	106.2	8.1	9.7
ASHRAE	204.7	237.6	205.9	86.2	41.3	106.2	6.5	9.7
ASHRAE	199.0	258.0	248.6	93.7	50.8	118.2	8.1	12.8
ASHRAE	207.0	263.3	253.6	93.7	50.8	118.2	8.1	12.8
ASHRAE	251.5	324.6	294.7	128.4	90.0	132.1	9.7	16.0
ASHRAE	251.5	324.6	303.7	120.1	75.0	132.1	9.7	16.0
ASHRAE	196.0	258.9	226.9	84.0	31.8	106.2	8.1	9.7
ASHRAE	202.0	264.9	244.0	89.0	65.0	106.2	8.1	12.8
ASHRAE	198.8	261.7	265.9	89.0	50.8	106.2	8.1	9.7
ASHRAE	204.7	267.6	265.9	85.6	50.8	106.2	8.1	9.7
ASHRAE	198.8	261.7	205.9	84.0	41.3	106.2	8.1	9.7
ASHRAE	198.8	261.7	248.0	89.0	50.8	106.2	8.1	9.7
ASHRAE	199.0	260.3	248.6	93.7	50.8	118.2	6.5	9.7
ASHRAE	204.0	284.3	272.6	109.0	75.0	118.2	8.1	12.8
ASHRAE	199.0	258.3	248.6	93.7	50.8	118.2	8.1	12.8
ASHRAE	207.0	268.3	248.6	93.7	50.8	118.2	8.1	12.8

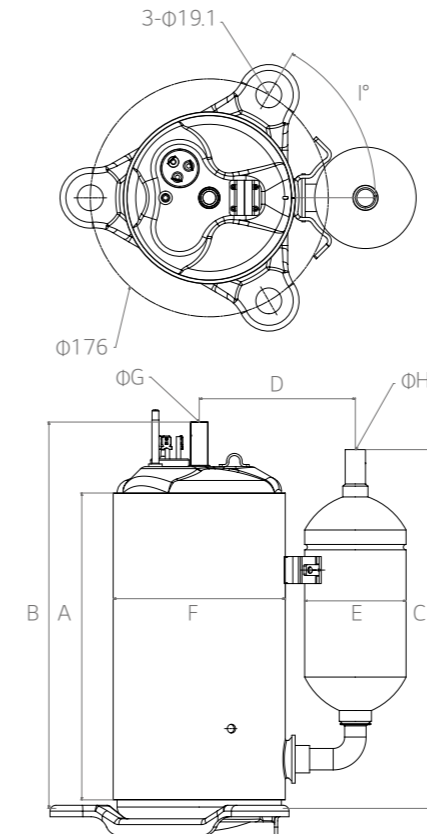
### · QP



### · QA-E / QA



### · QKN



# Specification

## Fixed Speed R22 [4 of 5]

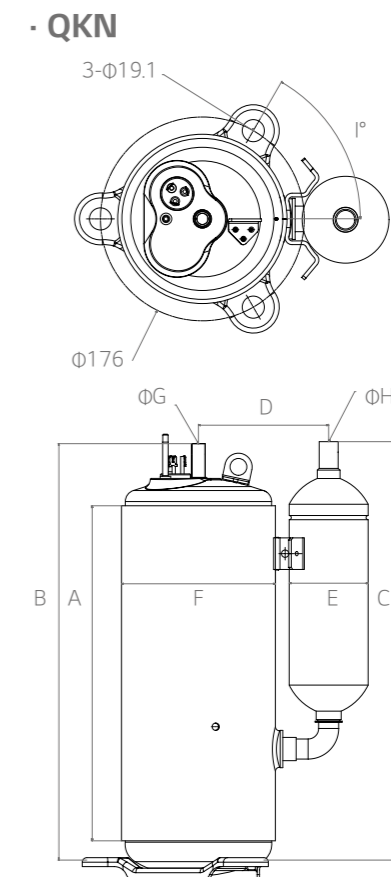
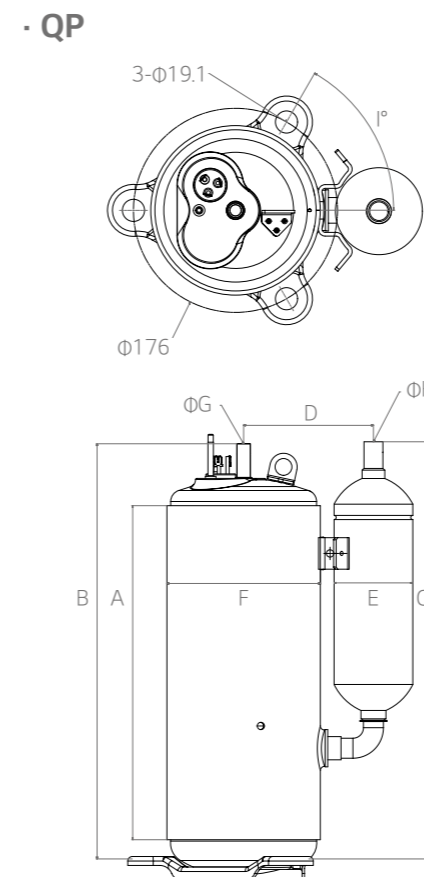
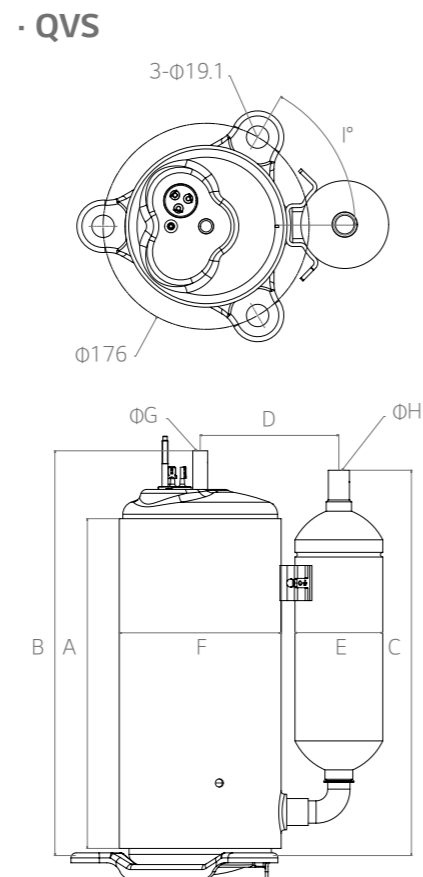
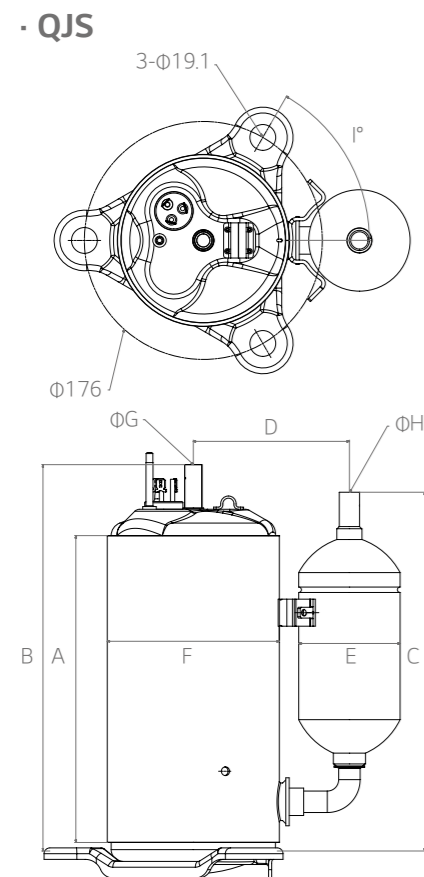
Refrigerant	Type	Frequency	Voltage	Series	Model	Cooling capacity		Input	EER	COP
						Btu/hr	Watts	Watts	Btu/W-hr	W/W
R22	1 Piston	60Hz	1Φ, 208-230V	QJS	QJS196K	13,900	4,073	1,264	11.00	3.22
					QJS208K	14,850	4,352	1,303	11.40	3.34
				QVS	QVS250K	18,150	5,319	1,592	11.40	3.34
					QVS325K	24,000	7,033	2,172	11.05	3.24
				QP	QP376K	27,700	8,117	2,541	10.90	3.19
					QP390K	29,200	8,557	2,646	11.04	3.23
			1Φ, 265V	QKN	QKN164Q	11,500	3,370	1,065	10.80	3.16
					3Φ, 380V	QP	QP407K	30,100	8,821	2,736
			QP425K	31,900			9,348	2,929	10.89	3.19
			QP407U	30,100	8,821	2,787	10.80	3.16		

Note 1 : Figures in the table are subject to change without prior notice for performance improvement.

Note 2 :

Test condition	Condenser temperature	Evaporation temperature	Suction temperature	Sub cool
ASHRAE	54.4°C	7.2°C	35°C	8.3°C

Test condition	Dimension (mm)							
	A	B	C	D	E	F	G	H
ASHRAE	212.0	272.6	266.2	113.0	75.0	127.3	9.7	12.8
ASHRAE	237.0	297.6	266.2	113.0	75.0	127.3	9.7	12.8
ASHRAE	256.5	329.6	315.8	120.1	75.0	132.1	9.7	16.0
ASHRAE	266.7	334.8	294.7	120.1	75.0	132.1	9.7	16.0
ASHRAE	256.5	322.5	315.8	120.1	75.0	132.1	9.7	16.0
ASHRAE	250.0	327.3	341.4	123.7	75.0	145.4	9.7	16.0
ASHRAE	239.0	316.3	341.4	123.7	75.0	145.4	9.7	16.0
ASHRAE	250.0	327.3	321.4	123.7	75.0	145.4	9.7	16.0
ASHRAE	250.0	361.0	345.0	123.7	75.0	145.4	9.7	16.0
ASHRAE	204.0	264.3	253.6	103.0	65.0	118.2	8.0	12.8
ASHRAE	275.0	275.0	353.0	123.7	75.0	145.4	9.7	16.0



# Specification

## Fixed Speed R22 [5 of 5]

Refrigerant	Type	Frequency	Voltage	Series	Model	Cooling capacity		Input	EER	COP
						Btu/hr	Watts	Watts	Btu/W/hr	W/W
R22	2 Piston	50Hz	1Φ, 220V	QJT	QJT310H	18,000	5,275	1,650	10.91	3.20
			1Φ, 200/220V	QPT	QPT442J	26,880	7,877	2,400	11.20	3.28
			1Φ, 220/240V	QJT	QJT325P	19,300	5,656	1,771	10.90	3.19
					QJT336P	19,750	5,788	1,828	10.80	3.17
					QJT348P	20,500	6,007	1,898	10.80	3.17
				QPT	QPT442P	26,000	7,619	2,487	10.45	3.06
					QPT464P	28,500	8,352	2,688	10.60	3.11
					QPT488P	29,380	8,610	2,660	11.05	3.24
			3Φ, 380/420V	QPT	QPT525P	31,100	9,114	2,880	10.80	3.16
					QPT425Y	25,000	7,326	2,380	10.50	3.08
		QPT525Y			30,400	8,909	2,951	10.30	3.02	
		QJT325K			23,700	6,945	2,194	10.80	3.17	
		60Hz	1Φ, 208-230V	QJT	QJT336K	24,200	7,092	2,260	10.71	3.14
					QJT348K	25,000	7,326	2,313	10.81	3.17
					QJT362K	26,000	7,619	2,430	10.70	3.14
					QPT407K	30,100	8,821	2,736	11.00	3.22
			QPT	QPT442K	31,700	9,289	3,020	10.50	3.08	
				QPT464K	33,300	9,758	3,141	10.60	3.11	
				QPT488K	35,300	10,344	3,461	10.20	2.99	
				QPT525K	36,800	10,784	3,644	10.10	2.96	

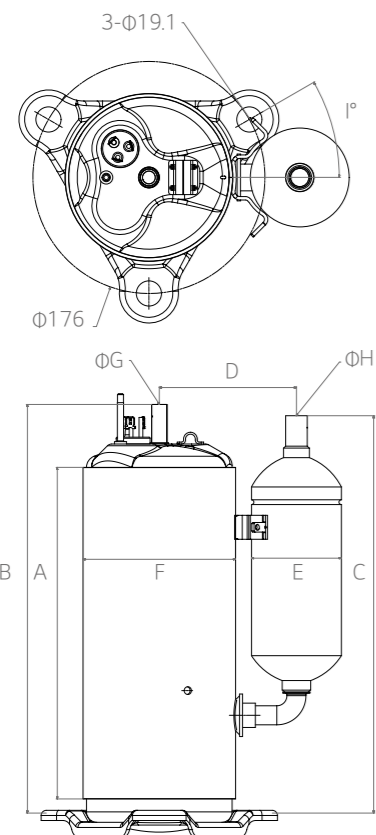
Note 1 : Figures in the table are subject to change without prior notice for performance improvement.

Note 2 :

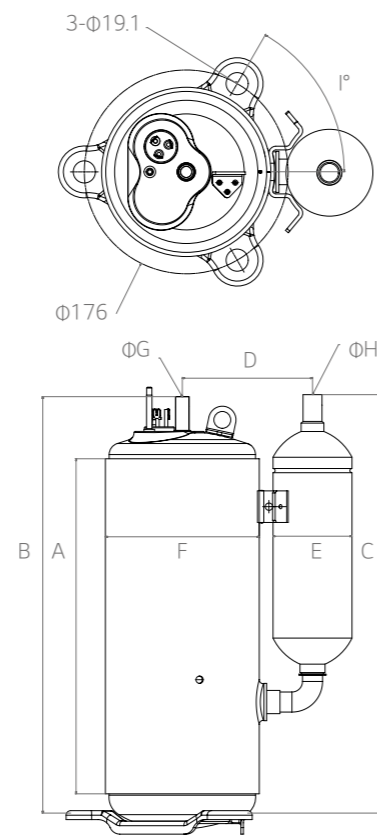
Test condition	Condenser temperature	Evaporation temperature	Suction temperature	Sub cool
ARI	54.4°C	7.2°C	18.3°C	8.3°C
ASHRAE	54.4°C	7.2°C	35°C	8.3°C

Test condition	Dimension (mm)							
	A	B	C	D	E	F	G	H
ASHRAE	276.7	337.0	357.1	114.0	75.0	127.3	9.70	12.8
ASHRAE	290.9	369.4	398.4	133.4	90.0	145.4	9.70	16.0
ASHRAE	276.7	332.2	345.0	114.0	75.0	127.3	9.7	12.8
ASHRAE	266.7	327.0	326.1	114.0	75.0	127.3	9.7	12.8
ASHRAE	276.7	341.0	341.6	125.5	90.0	127.3	9.7	16.0
ASHRAE	281.9	359.2	337.1	123.7	75.0	145.4	9.7	16.0
ASHRAE	281.9	359.2	368.1	133.4	90.0	145.4	9.7	16.0
ARI	281.9	385.2	411.9	133.4	90.0	145.4	9.7	16.0
ARI	281.9	386.6	413.5	133.4	90.0	145.4	9.7	16.0
ASHRAE	307.3	386.0	415.0	132.3	90.0	145.4	9.7	16.0
ASHRAE	307.3	386.0	415.0	132.3	90.0	145.4	9.7	16.0
ASHRAE	276.7	342.0	332.0	114.0	75.0	127.3	9.7	12.8
ASHRAE	266.7	329.0	378.9	114.0	75.0	127.3	9.7	12.8
ASHRAE	276.7	341.0	331.6	114.0	75.0	127.3	9.7	16.0
ASHRAE	276.7	341.0	331.6	114.0	75.0	127.3	9.7	16.0
ASHRAE	309.3	386.6	413.5	133.4	90.0	145.4	9.7	16.0
ASHRAE	290.9	367.1	326.5	133.4	90.0	145.4	9.7	16.0
ASHRAE	281.9	388.2	434.6	132.0	90.0	145.4	9.7	16.0
ASHRAE	318.3	395.6	397.5	123.7	75.0	145.4	12.8	16.0
ASHRAE	318.3	397.2	414.4	132.0	90.0	145.4	9.7	16.0

### · QJT



### · QPT



# Specification

## Special Application for Tropical

Refrigerant	Type	Frequency	Voltage	Series	Model	Cooling capacity		Input	EER	COP	
						Btu/hr	Watts	Watts	Btu/W/hr	W/W	
R410A	1 Piston	50Hz	1 $\Phi$ , 220 / 240V	GJS	GJS222P	18,800	5,509	1,825	10.30	3.02	
					GVH	GVH180P	15,400	4,513	1,466	10.50	3.08
						GVH198P	16,940	4,964	1,629	10.40	3.05
				GVH208P		17,400	5,099	1,692	10.28	3.01	
				GVH250P		21,400	6,271	2,018	10.60	3.11	
				GVH282P		24,150	7,077	2,320	10.41	3.05	
				GVS		GVS265P	22,650	6,638	2,175	10.41	3.05
					GVS290P	24,800	7,267	2,432	10.20	2.99	
					GVS295P	24,950	7,312	2,495	10.00	2.93	
		60Hz	1 $\Phi$ ,208-230V	GJS	GJS160K	15,800	4,630	1,540	10.26	3.01	
					GJS176K	18,200	5,333	1,733	10.50	3.08	
					GVH176K	17,800	5,216	1,680	10.60	3.10	
				GVH	GVH198K	20,100	5,891	1,900	10.58	3.10	
					GVH215K	22,000	6,447	2,077	10.59	3.10	
					GVH240K	24,850	7,283	2,368	10.50	3.08	
				GVS	GVS198K	20,500	6,008	1,970	10.40	3.05	
					GVS215K	22,300	6,536	2,180	10.23	3.00	
					GVS265K	27,750	8,133	2,670	10.40	3.05	

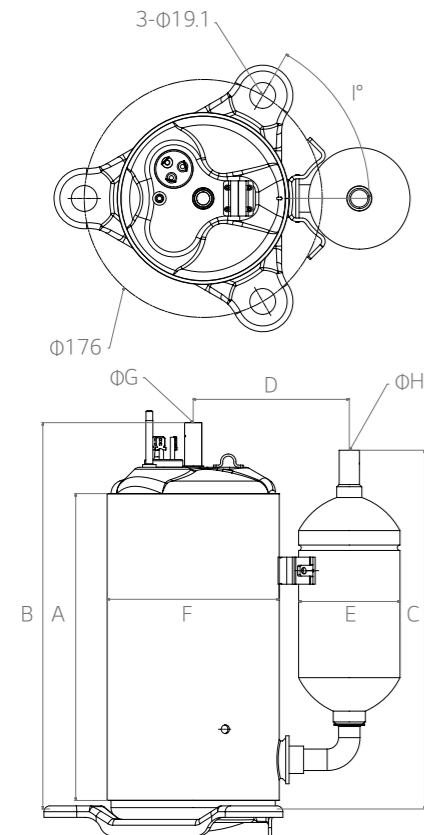
Note1 : Figures in the table are subject to change without prior notice for performance improvement.

Note2 :

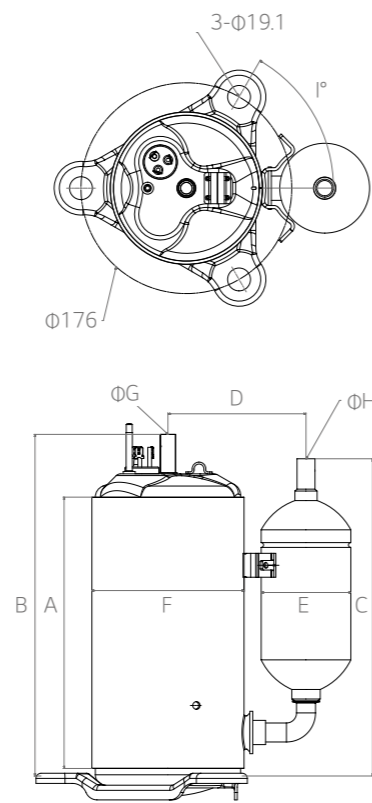
Test condition	Condenser temperature	Evaporation temperature	Suction temperature	Sub cool
ASHRAE	54.4°C	7.2°C	35°C	8.3°C

Test condition	Dimension (mm)							
	A	B	C	D	E	F	G	H
ASHRAE	237.0	297.2	320.0	113.0	75.0	127.3	9.7	12.8
ASHRAE	268.7	341.8	316.7	120.1	75.0	138.5	9.7	12.8
ASHRAE	268.7	341.8	316.7	120.1	75.0	138.5	9.7	12.8
ASHRAE	268.7	341.8	316.7	120.1	75.0	138.5	9.7	12.8
ASHRAE	273.7	346.8	316.7	120.1	75.0	138.5	9.7	16.0
ASHRAE	273.7	346.8	316.7	120.1	75.0	138.5	9.7	16.0
ASHRAE	276.7	351.7	335.8	120.1	75.0	138.5	9.7	16.0
ASHRAE	276.7	351.7	335.8	120.1	75.0	138.5	9.7	16.0
ASHRAE	266.7	341.7	351.8	128.4	90.0	138.5	9.7	16.0
ASHRAE	242.0	303.1	308.2	113.8	75.0	127.3	9.7	12.8
ASHRAE	227.0	284.8	264.8	115.5	75.0	127.3	9.7	12.8
ASHRAE	248.5	320.8	316.7	128.4	90.0	138.5	9.7	16.0
ASHRAE	268.7	341.8	316.7	120.1	75.0	138.5	9.7	12.8
ASHRAE	268.7	341.8	294.7	128.4	90.0	138.5	9.7	16.0
ASHRAE	273.7	346.8	316.7	120.1	75.0	138.5	9.7	16.0
ASHRAE	271.7	344.8	303.7	120.1	75.0	138.5	9.7	16.0
ASHRAE	266.7	341.7	315.8	128.4	90.0	138.5	9.7	16.0
ASHRAE	271.7	346.7	351.8	128.4	90.0	138.5	9.7	16.0

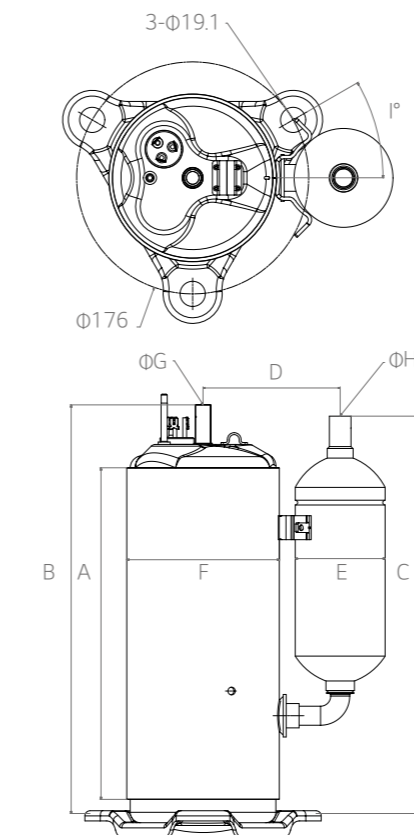
### - GJS



### - GVH / GVS



### - GJT



# Specification

## Special Application for Tropical

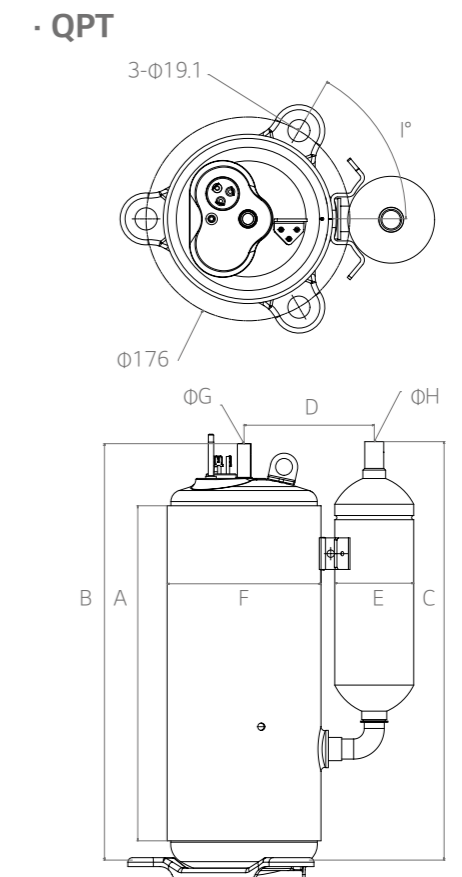
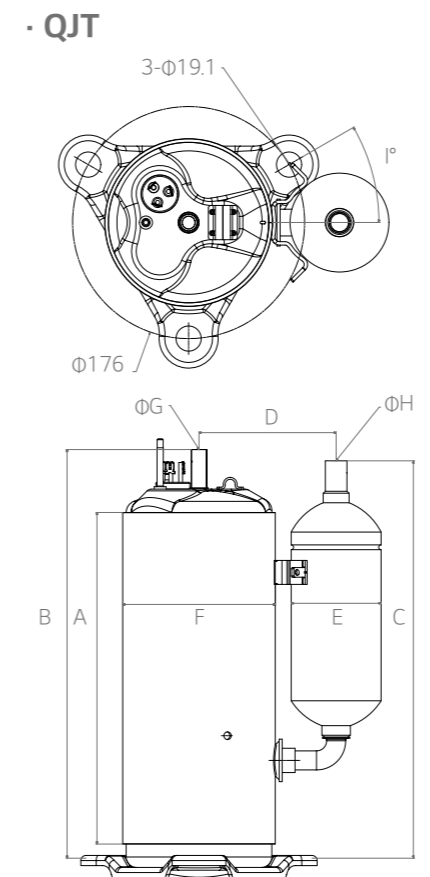
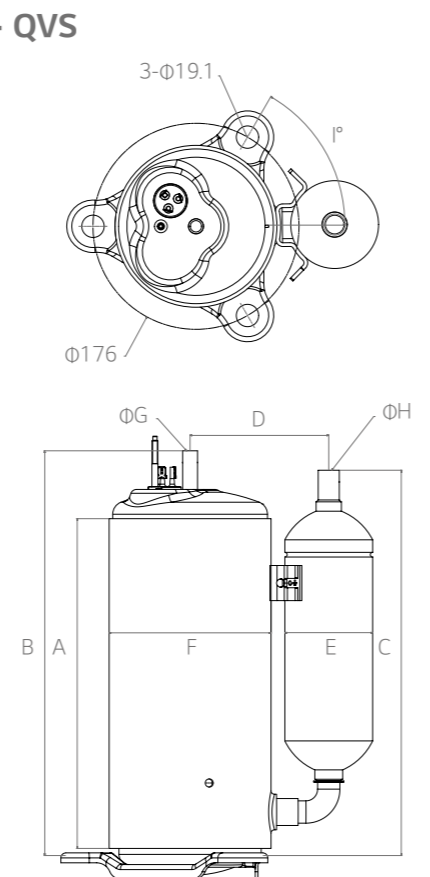
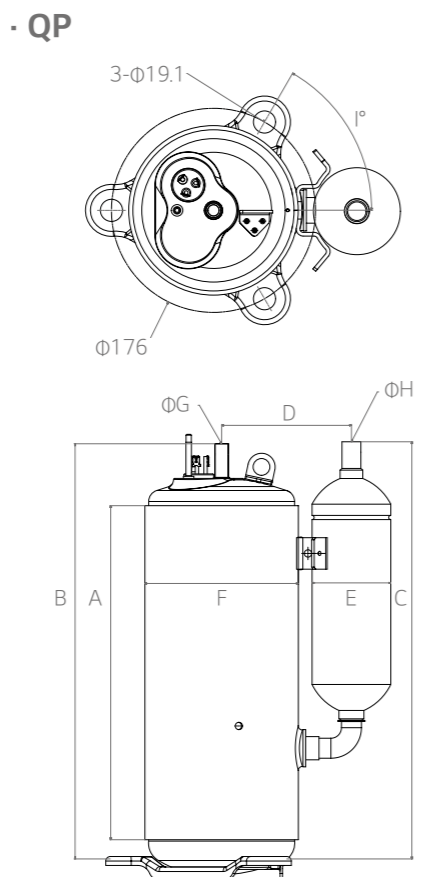
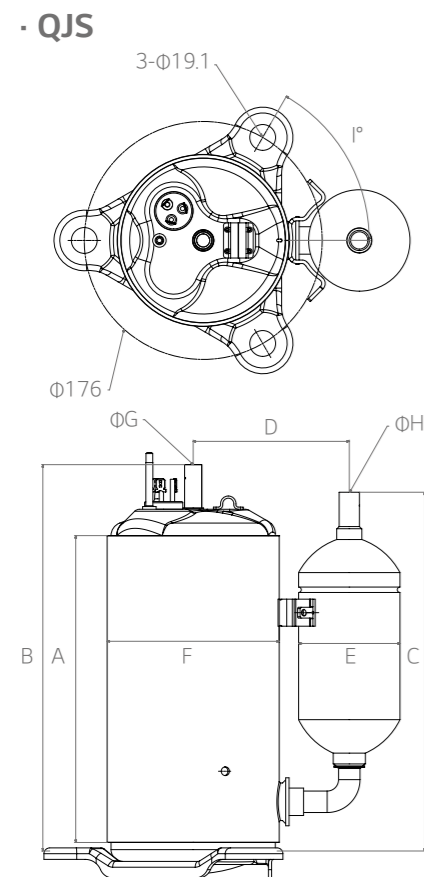
Refrigerant	Type	Frequency	Voltage	Series	Model	Cooling capacity		Input	EER	COP		
						Btu/hr	Watts	Watts	Btu/W·hr	W/W		
R22	1 Piston	50Hz	1 $\phi$ , 220 / 240V	QJS	QJS222P	12,950	3,795	1,136	11.40	3.34		
					QP407P	24,400	7,150	2,180	11.19	3.28		
				QP	QP425P	25,600	7,502	2,335	10.96	3.21		
					QP442P	26,200	7,678	2,380	11.01	3.23		
				QVS	QVS325P	19,300	5,656	1,770	10.90	3.20		
					QP425Y	25,000	7,326	2,380	10.50	3.08		
	60Hz	1 $\phi$ , 208-230V	QVS	QVS250K	18,150	5,319	1,592	11.40	3.34			
				QVS325K	24,000	7,033	2,172	11.05	3.24			
			QVS	QVS348K	25,200	7,385	2,250	11.20	3.28			
				QP390K	29,200	8,557	2,646	11.04	3.23			
			2 Piston	50Hz	1 $\phi$ , 220-240V	QJT	QJT325P	19,300	5,656	1,771	10.90	3.19
							QJT348P	20,500	6,007	1,898	10.80	3.17
60Hz	1 $\phi$ , 208-230V	QPT	QPT407K	30,100	8,821	2,736	11.00	3.22				

Note 1: Figures in the table are subject to change without prior notice for performance improvement.

Note 2:

Test condition	Condenser temperature	Evaporation temperature	Suction temperature	Sub cool
ASHRAE	54.4°C	7.2°C	35°C	8.3°C

Test condition	Dimension (mm)							
	A	B	C	D	E	F	G	H
ASHRAE	242.0	302.6	257.2	108.0	65.0	127.3	9.7	12.8
ASHRAE	250.0	327.3	308.4	123.7	75.0	145.4	9.7	16.0
ASHRAE	250.0	341.5	357.4	132.8	90.0	145.4	9.7	16.0
ASHRAE	250.0	327.3	341.4	123.7	75.0	145.4	9.7	16.0
ASHRAE	261.7	335.8	334.4	120.1	75.0	132.1	9.7	16.0
ASHRAE	275.0	353.0	345.0	123.7	75.0	145.4	9.7	16.0
ASHRAE	256.5	329.6	315.8	120.1	75.0	132.1	9.7	16.0
ASHRAE	266.7	334.8	294.7	120.1	75.0	132.1	9.7	16.0
ASHRAE	256.5	322.5	315.8	120.1	75.0	132.1	9.7	16.0
ASHRAE	239.0	316.3	341.4	123.7	75.0	145.4	9.7	16.0
ASHRAE	276.7	332.2	345.0	114.0	75.0	127.3	9.7	12.8
ASHRAE	276.7	341.0	341.6	125.5	90.0	127.3	9.7	16.0
ASHRAE	309.3	386.6	413.5	133.4	90.0	145.4	9.7	16.0



# Specification

## Special Application for Heat Pump Inverter Dryer

Refrigerant	Type	Series	Model	Magnet	Power	Cooling capacity		Input	EER	COP	Test condition @ 60Hz
						Btu/hr	Watts				
R134a	1 Piston	EA	EA080MA	NdFeB	DC280V	3,990	1,169	325	12.3	3.6	ASHRAE
		EAR	EAR072MA	NdFeB		3,700	1,084	300	12.3	3.6	ASHRAE
	2 Piston	EST	EST092MA	NdFeB		4,600	1,348	380	12.1	3.5	ASHRAE
			EST092MB	NdFeB		4,550	1,333	376	12.1	3.5	ASHRAE
			EST102MA	NdFeB		5,100	1,495	412	12.4	3.6	ASHRAE
R290	2 Piston	PST	PST066MA	NdFeB	4,100	1,201	359	11.4	3.3	ASHRAE	
			PST092MA	NdFeB	5,600	1,641	465	12.0	3.5	ASHRAE	
			PST102MA	NdFeB	6,200	1,817	515	12.0	3.5	ASHRAE	

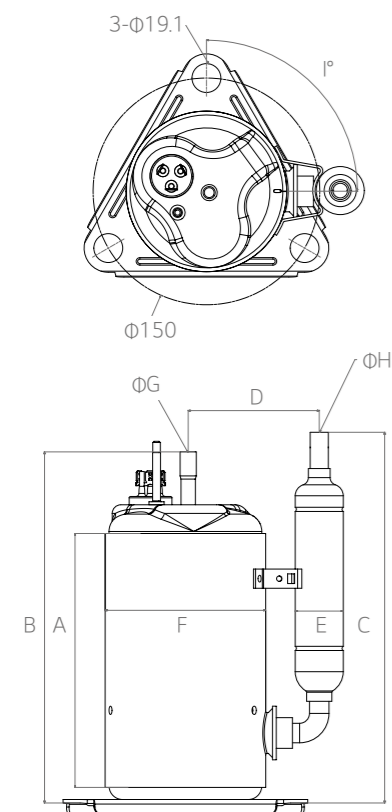
Note 1: Figures in the table are subject to change without prior notice for performance improvement.

Note 2:

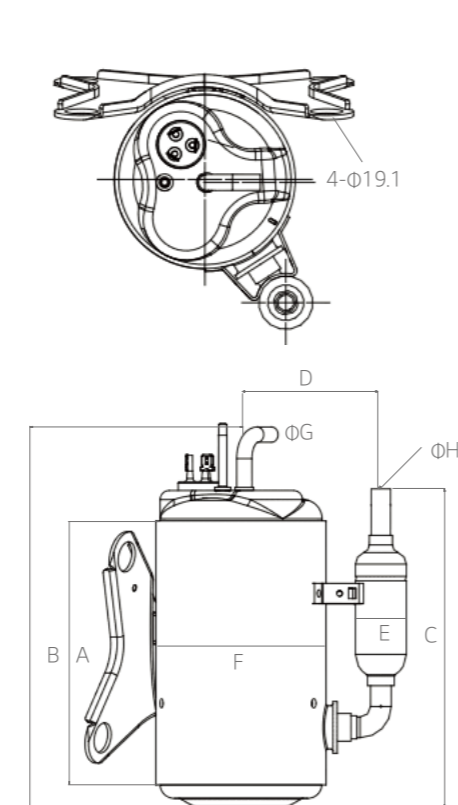
Test condition	Condenser temperature	Evaporation temperature	Suction temperature	Sub cool
Dryer condition	71°C	23°C	35°C	24.9°C

Range (rpm)	Dimension (mm)							
	A	B	C	D	E	F	G	H
20-90	158.0	223.0	216.2	86.0	31.8	107.4	8.0	9.7
20-90	165.0	238.7	200.0	86.0	31.8	106.2	6.5	9.7
20-90	149.0	198.6	191.3	66.7	31.8	96.3	8.0	9.7
20-100	169.0	220.6	225.3	66.7	50.8	96.3	8.0	9.7
20-130	169.0	220.6	225.3	66.7	50.8	96.3	8.0	9.7
20-130	169.0	220.6	225.3	66.7	50.8	96.3	8.0	9.7
20-130	169.0	220.6	225.3	66.7	50.8	96.3	8.0	9.7

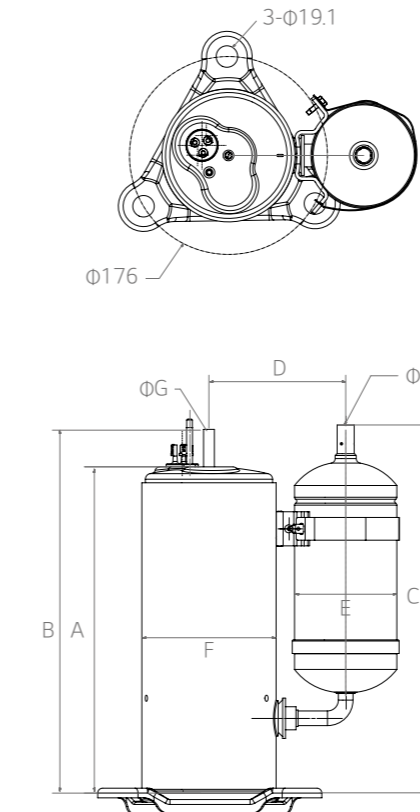
- EA



- EAR



- EST / PST



## Specification

### Special Application for Heat Pump Dryer

Refrigerant	Type	Frequency	Voltage	Series	Model	Cooling capacity		Input	EER	COP
						Btu/hr	Watts	Watts	Btu/W-hr	W/W
R134a	1 Piston	50Hz	1 $\Phi$ , 220 / 240V	EAB	EAB078PM	5,325	1,560	457	11.7	3.4
					EAB078PA	5,210	1,527	420	12.4	3.6
				EA	EA089PAB	6,000	1,758	480	12.5	3.7
					EA092PA	6,220	1,823	512	12.1	3.6
					PAB065PA	3,350	982	345	9.7	2.8
R290	1 Piston	50Hz	1 $\Phi$ , 220 / 240V	PAB	PAB078PA	4,030	1,181	391	10.3	3.0
					PAB086PA	4,440	1,301	435	10.2	3.0
					PSG066PA	3,290	964	346	9.5	2.8
			1 $\Phi$ , 220 / 240V	PSG	PSG075PA	3,740	1,096	374	10.0	2.9
					PSG089PA	4,290	1,257	429	10.0	2.9

Test condition	Dimension (mm)							
	A	B	C	D	E	F	G	H
Dryer condition	178.7	235.3	182.6	85.0	31.8	106.2	8.0	9.7
Dryer condition	168.7	225.3	179.6	85.0	31.8	106.2	8.0	9.7
Dryer condition	166.8	229.7	199.9	85.0	31.8	106.2	8.0	9.7
Dryer condition	193.0	248.6	196.6	88.0	31.8	106.2	8.0	9.7
ASHRAE	169.2	219.9	176.7	85.0	31.8	106.2	8.0	9.7
ASHRAE	184.2	234.9	176.7	85.0	31.8	106.2	8.0	9.7
ASHRAE	184.2	234.9	176.7	85.0	31.8	106.2	8.0	9.7
ASHRAE	-	228.3	176.1	67.0	31.8	96.3	8.0	9.7
ASHRAE	-	232.3	176.1	67.0	31.8	96.3	8.0	9.7
ASHRAE	-	235.7	199.6	67.0	31.8	96.3	8.0	9.7

### Special Application for Heat Pump Water Heater

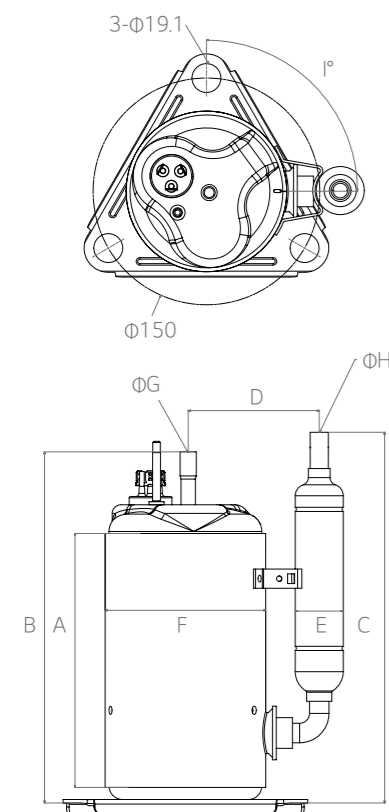
Refrigerant	Type	Frequency	Voltage	Series	Model	Cooling capacity		Input	EER	COP
						Btu/hr	Watts	Watts	Btu/W-hr	W/W
R134a	1 Piston	60Hz	1 $\Phi$ , 220 / 240V	EAB	EAB086KA	4,190	1,228	360	11.64	3.41
					EAB086KB	4,190	1,228	360	11.64	3.41

Test condition	Dimension (mm)							
	A	B	C	D	E	F	G	H
ASHRAE	202.0	264.2	224.2	98.0	65.0	106.2	8.0	12.8
ASHRAE	202.0	254.2	224.2	98.0	65.0	106.2	6.5	9.7

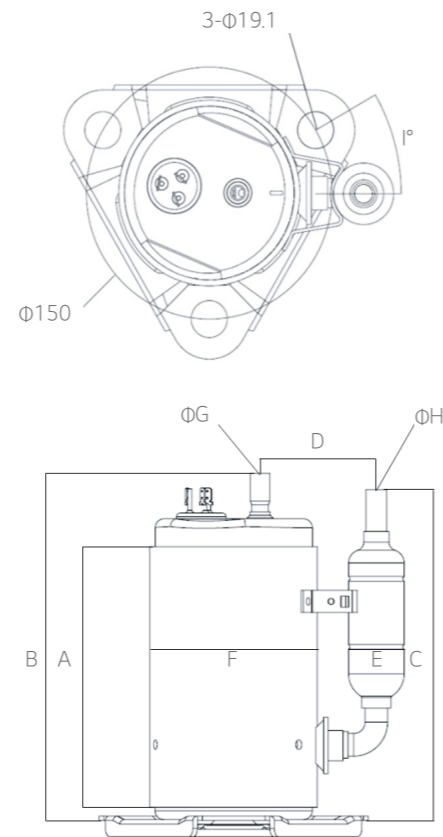
Note 1 : Figures in the table are subject to change without prior notice for performance improvement.

Note 2 :	Test condition	Condenser temperature	Evaporation temperature	Suction temperature	Sub cool
	ASHRAE	54.4°C	7.2°C	35°C	8.3°C

#### - EAB / EA / PAB



#### - PSG





# Specification

## Special Application for Unitary

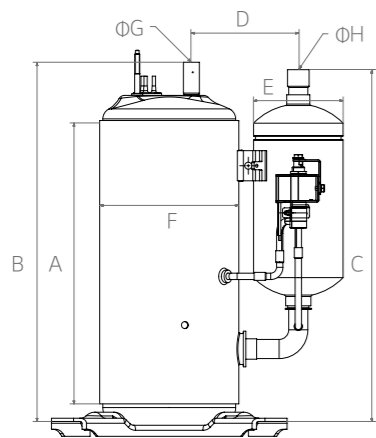
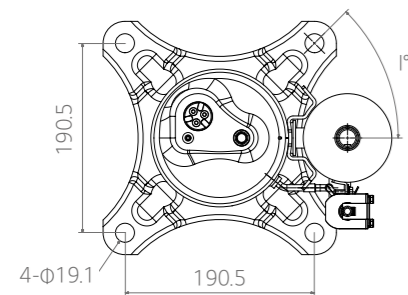
Refrigerant	Type	Frequency	Voltage	Series	Model	Cooling capacity		Input	EER	COP
						Btu/hr	Watts	Watts	Btu/W-hr	W/W
R410A	1 Piston	60Hz	1 $\phi$ ,230V	GVA	GVA153KA	15,150	4,440	1,546	9.8	2.9
						21,400	6,271	1,028	20.8	6.1
					GVA156KA	15,200	4,454	1,551	9.8	2.9
						21,500	6,300	1,034	20.8	6.1
					GVA198KA	19,700	5,773	1,950	10.1	3.0
						27,650	8,103	1,298	21.3	6.2
					GVA202KA	20,000	5,861	2,000	10.0	2.9
						28,100	8,234	1,319	21.3	6.2
					GVA236KA	23,320	6,834	2,332	10.0	2.9
						33,370	9,779	1,559	21.4	6.3

Refrigerant	Type	Series	Model	Magnet	Power	Cooling capacity		Input	EER	COP
						Btu/hr	Watts	Watts	Btu/W-hr	W/W
R410A	2 Piston	GJT	GJT240MC	NdFeB	DC380V	25,400	7,443	2,327	10.9	3.2
						37,120	10,878	2,350	15.8	4.6
						19,350	5,670	843	23.0	6.7
						47,000	13,773	4,360	10.8	3.2
		GPT	GPT442MA	NdFeB		63,350	18,564	4,060	15.6	4.6
						35,800	10,491	1,555	23.0	6.7

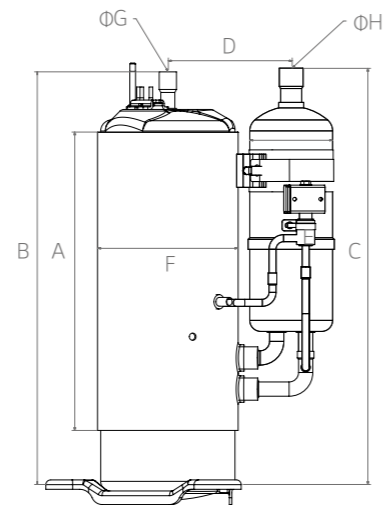
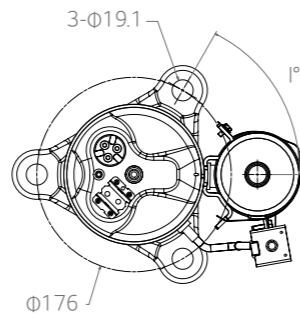
Note1 : Figures in the table are subject to change without prior notice for performance improvement.

Note2 :	Test condition	Condenser temperature	Evaporation temperature	Suction temperature	Sub cool
	ARI	54.4°C	7.2°C	18.3°C	8.3°C

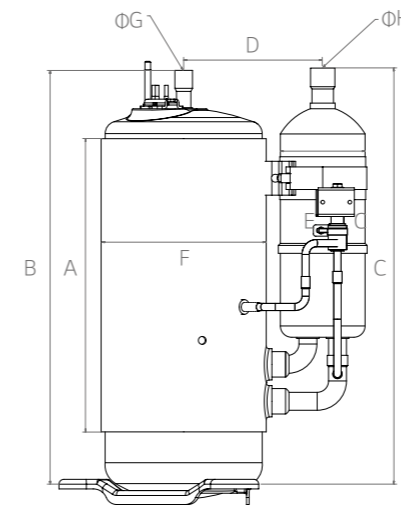
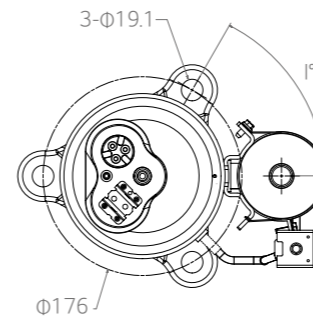
### - GVA



### - GJT



### - GPT

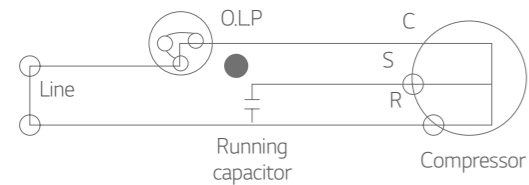


Test condition	Dimension (mm)								
	A	B	C	D	E	F	G	H	I
ARI	277.0	352.5	350.1	106.8	90.0	139.3	12.8	19.2	45.0
DOE-B									
ARI	272.0	347.5	350.1	106.8	90.0	139.3	12.8	19.2	45.0
DOE-B									
ARI	277.0	352.5	350.1	106.8	90.0	139.3	12.8	19.2	45.0
DOE-B									
ARI	277.0	352.5	350.1	106.8	90.0	139.3	12.8	19.2	45.0
DOE-B									
ARI	282.0	357.5	350.1	106.8	90.0	138.5	12.8	19.2	45.0
DOE-B									

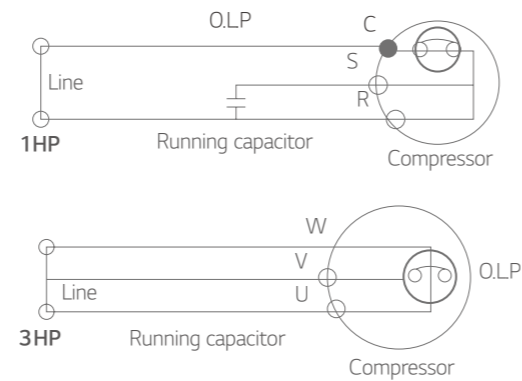
Test Condition @ 60Hz	Range (rps)	Dimension (mm)								
		A	B	C	D	E	F	G	H	I
ARI @60Hz	10-110	270.0	371.6	375.0	113.6	75.0	127.3	12.8	19.1	60
DOE-A @70Hz										
DOE-B @35Hz										
ARI @60Hz	15-100	259.6	365.3	367.3	123.0	75.0	146.2	12.8	19.1	60
DOE-A @65Hz										
DOE-B @35Hz										

## Wiring Diagram

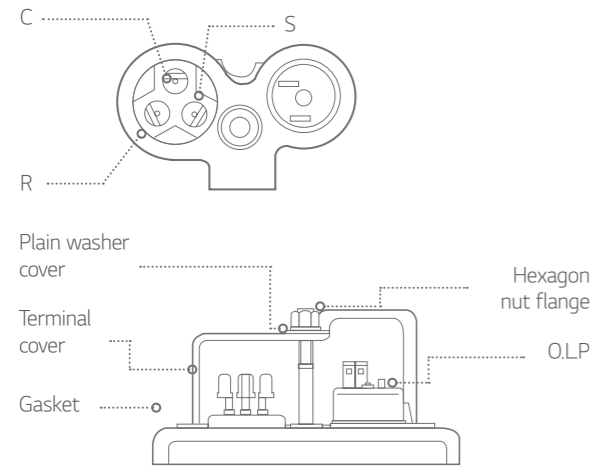
For External O.L.P



For Internal O.L.P

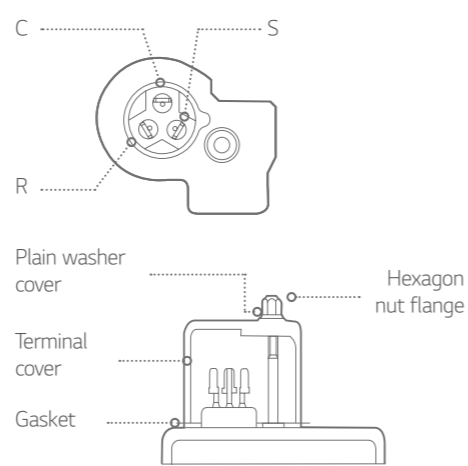


Cover Terminal Fitting

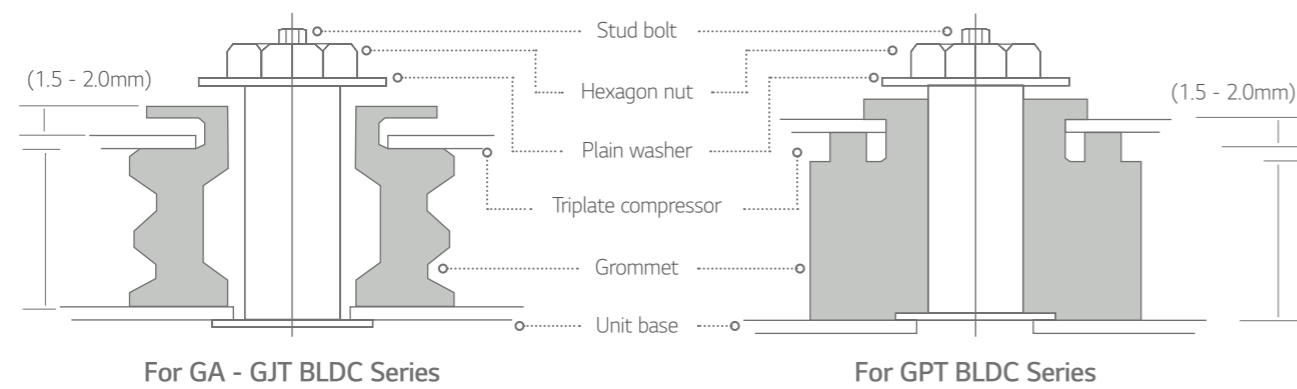


\*O.L.P : Over Load Protector

Cover Terminal Fitting



## Mounting



## Accessory Parts

Series	Standard accessory					Optional accessory		
	Terminal cover	Gasket	Plain washer	Hexagon nut	Grommet	Stud bolt	Plain washer	Nut
EA	①	③	⑤	⑥	⑦	⑩	⑩	⑫
GA / DA / GK / GKT / GJT	①	③	⑤	⑥	⑦	⑩	⑩	⑫
GPT	①	③	⑤	⑥	⑦	⑩	⑩	⑫
EKS / GKS / GJ / QK / GK NK / QKS / QKT / QP	②	④	⑤	⑥	⑧	⑩	⑩	⑫

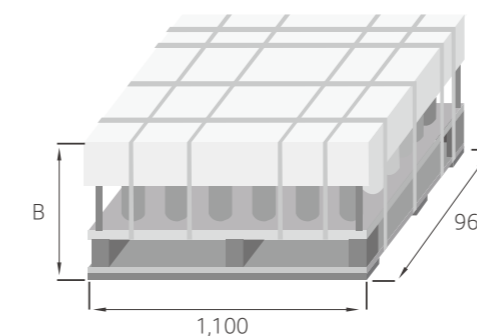


## Packing & Container Stuffing Quantity

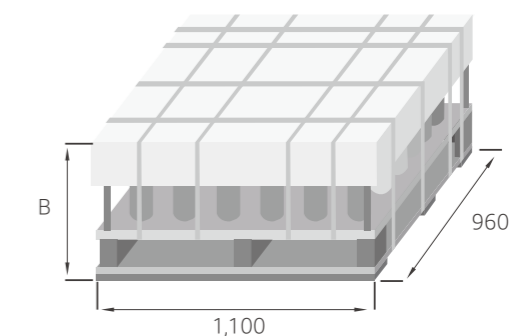
Items	1 Step pallet		2 Steps pallet		1 Container (20ft)				
	Packing quantity	Size B	Packing quantity	Size B	Packing quantity	Pallet quantity			
Series						Step 1	Step 2	Accessory	Total
GS / GSG / GST	42	430	84	610 ↑	2,436	0	29	1	30
DA / EA / GA	20	430	40	610 ↑	1,420	1	35	1	37
DA / GA	20	430	40	610	1,420	1	35	1	37
DJT / GJT	20	510	40	740 ↑	860	1	21	1	23
DKT / GKT	16	420	32	810	752	1	23	1	25
DPT / GPT	16	520	32	740 ↑	560	1	17	1	19
EKS / GK / NK / QK	20	420	40	645	1,160	12	23	1	36
GJ / NJ / QJ	20	370	40	740 ↑	940	1	23	1	25
GP / NP / QP	16	520	32	920 ↑	688	1	21	1	23

Note 1 : Packing conditions are subjects to change without notice

1 Step pallet



2 Steps pallet



Unit : mm