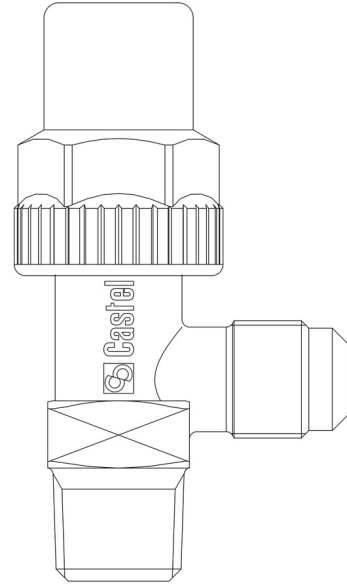


Product Code

6110/22

Receiver Valve
1/4"Flarex1/4"NPT

CLASSIC



Product use

Accessories for use with the following ASHRAE 34:2019 refrigerants, Class A1:

- HCFC (R22)
- HFC (R134a, R404A, R407C, R410A, or R507)
- HFO and HFO/HFC blends (R1234ze, R448A, R449A, R450A, R452A, R513A)

Maximum allowable pressure PS = 45 bar.
Allowable temperatures TS = -40 / +130 °C

Product details

Access fitting SAE Flare -

Connections SAE Flare 1/4"

Connections NPT 1/4"

Kv[m³/h] 0,44

PS[bar] 45

TS[°C] Min -40

TS[°C] Max +130

Package pcs 90