


APPROVALS




 **ENGINEERING CODE**
945DD21


 **APPROVED REFRIGERANT**
R-404A

 **POWER SUPPLY**
208-230 V 60 Hz

 **STANDARD CONDITIONS**
ASHRAE

 **APPLICATION**
MBP

 **COOLING CAPACITY**
6743 W (HBP)

 **EFFICIENCY**
2.13 W/W (HBP)

 **MOTOR TYPE**
CSCR

 **STARTING TORQUE**
LST/HST

DATA

General Data

Type	Hermetic reciprocating
Technology Type	On-Off
Displacement	37.88 cm ³
Compressor Cooling	Fan/NotControlled/208
Fan Air Flow	800 m ³ /h
Expansion Device	Capillary Tube / Expansion Valve
Horse Power	2 hp
Max Condensing Pressure Operating	24.71 bar
Max Condensing Pressure Peak	27.71 bar
Power Supply	208-230 V 60 Hz 1~
Evaporating Temperature Range	-20 °C to 10 °C

Electrical Data

Motor type	CSCR
Starting Torque	LST/HST
Start Winding Resistance	5.43 Ω at 25° C
Run Winding Resistance	0.82 Ω at 25° C
Locked Rotor Amperage (LRA)	65 A

Mechanical Data

Maximum Recommended Refrigerant Charge	800 g
Oil Charge	750 ml
Oil Type Configuration	ESTER
Oil Type Viscosity	ISO22
Pressurization	Dry air charge
Weight	21.8 Kg
Free Internal Volume	3.9 L

Electrical Components

	Description
CSR / CSIR Box	YES
Run Capacitor	25
Motor Protection	15HM1983-247
Start Capacitor	108-130 Uf/330 V
Starting Device	RVA6M3C-114 RVA6M3C-574

External Characteristics

Base Plate	Large	
Tray Holder	No	
Height	276 mm	
Connector	Internal Diameter	Shape
Suction	12.81 mm	Vertical/Copper
Discharge	8.04 mm	Slanted J/Copper
Process	6.45 mm	Vertical/Copper

PERFORMANCE

Rated Points

Condensing Temperature	Evaporating Temperature	Cooling Capacity	Power Consumption	Current	Gas Flow Rate	Efficiency
54.40°C	7.20°C	6743 W	3168 W	16.29 A	190.40 kg/h	2.13 W/W

Test Condition: ASHRAEMBP46, Fan/NotControlled/208, Return Gas 35°C, Evaporation 7.20°C, Condensing 54.40°C, Ambient 35°C, Liquid 46.1°C, Subcooling 8.3K. Data in accordance to EN

12900:2013 and AHRI 540:2015 polynomial equation and uncertainty guidance.

Performance Curve Data

Condensing Temperature 35°C

Evaporating Temperature °C	Cooling Capacity W	Power W	Current A	Gas Flow Rate kg/h	Efficiency W/W
-20	3273	1647	8.64	71.04	1.99
-15	4055	1821	9.36	88.63	2.23
-10	4925	1998	10.23	108.29	2.46
-5	5891	2182	11.19	130.42	2.7
0	6961	2372	12.21	155.44	2.93
5	8144	2572	13.26	183.77	3.17
10	9448	2782	14.28	215.81	3.4

Test Condition: ASHRAEMBP46, Fan/NotControlled/208, Return Gas 35°C, Ambient 35°C, Subcooling 8.3K. Data in accordance to EN 12900:2013 and AHRI 540:2015 polynomial equation and uncertainty guidance.

Condensing Temperature 45°C

Evaporating Temperature °C	Cooling Capacity W	Power W	Current A	Gas Flow Rate kg/h	Efficiency W/W
-20	2741	1693	8.64	65.72	1.62
-15	3476	1907	9.72	83.88	1.82
-10	4282	2126	10.88	104.04	2.01
-5	5169	2350	12.07	126.60	2.2
0	6145	2583	13.27	151.98	2.38
5	7218	2825	14.42	180.60	2.56
10	8397	3078	15.5	212.86	2.73

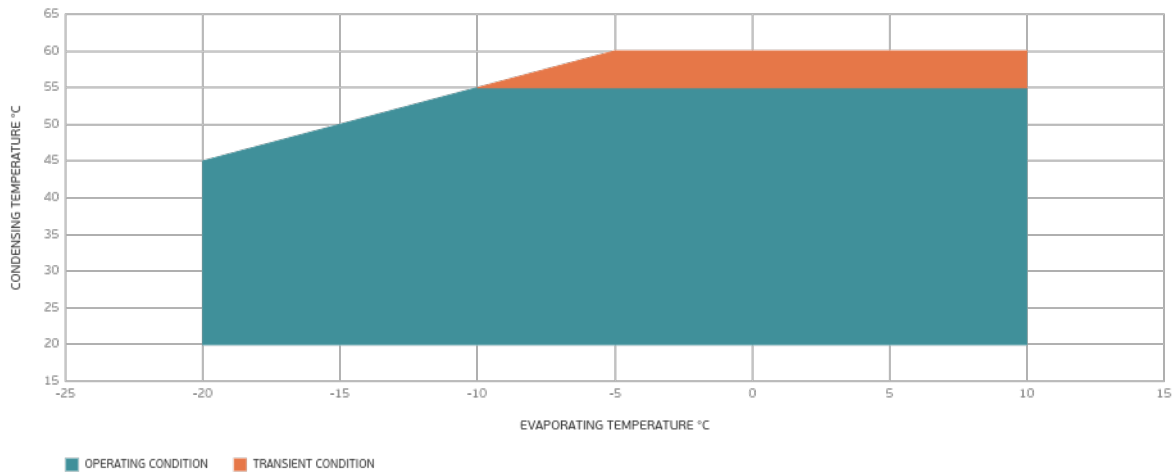
Test Condition: ASHRAEMBP46, Fan/NotControlled/208, Return Gas 35°C, Ambient 35°C, Subcooling 8.3K. Data in accordance to EN 12900:2013 and AHRI 540:2015 polynomial equation and uncertainty guidance.

Condensing Temperature 55°C

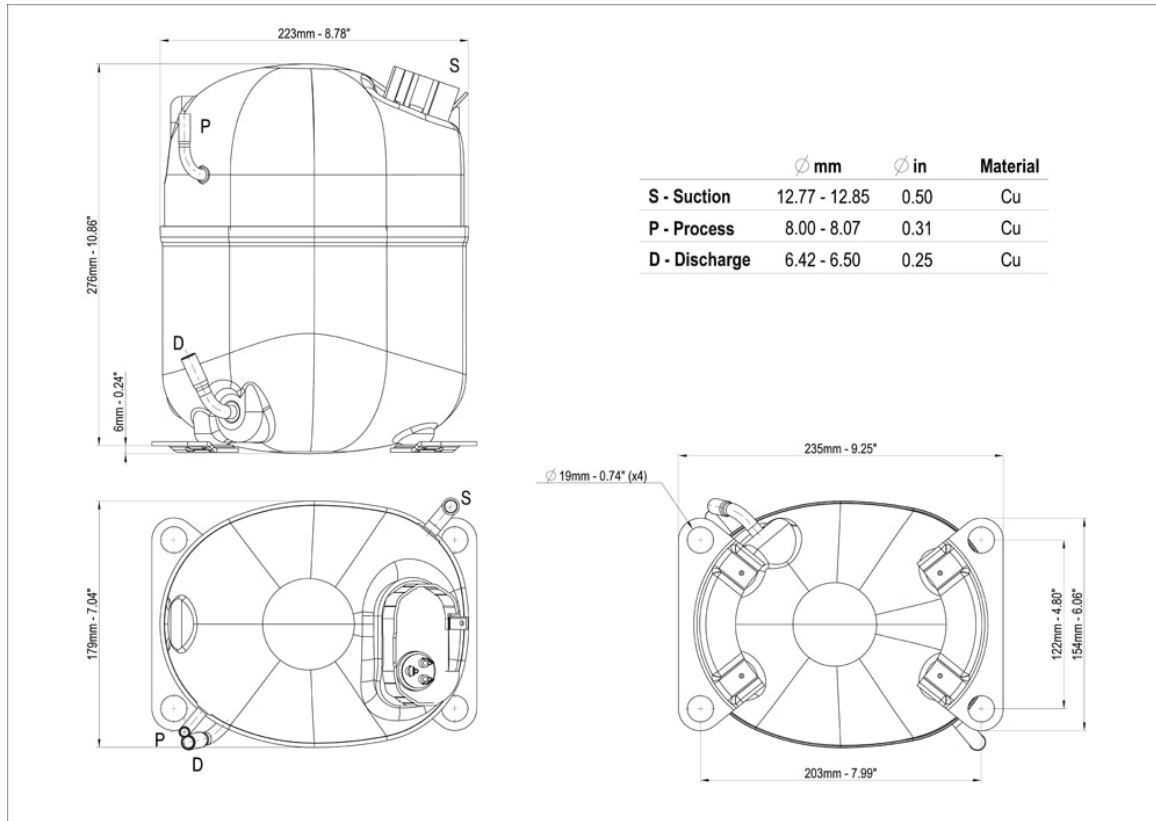
Evaporating Temperature °C	Cooling Capacity W	Power W	Current A	Gas Flow Rate kg/h	Efficiency W/W
-20	2173	1756	8.74	58.56	1.24
-15	2857	2004	10.21	77.46	1.43
-10	3597	2256	11.69	98.28	1.59
-5	4403	2515	13.16	121.44	1.75
0	5281	2782	14.56	147.34	1.9
5	6241	3059	15.86	176.40	2.04
10	7291	3348	17.02	209.04	2.18

Test Condition: ASHRAEMBP46, Fan/NotControlled/208, Return Gas 35°C, Ambient 35°C, Subcooling 8.3K. Data in accordance to EN 12900:2013 and AHRI 540:2015 polynomial equation and uncertainty guidance.

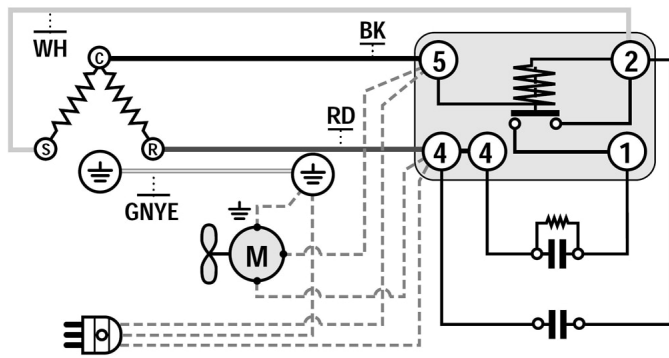
Operating Envelope



External Dimensions



Wiring Diagram



Assembly Instructions

